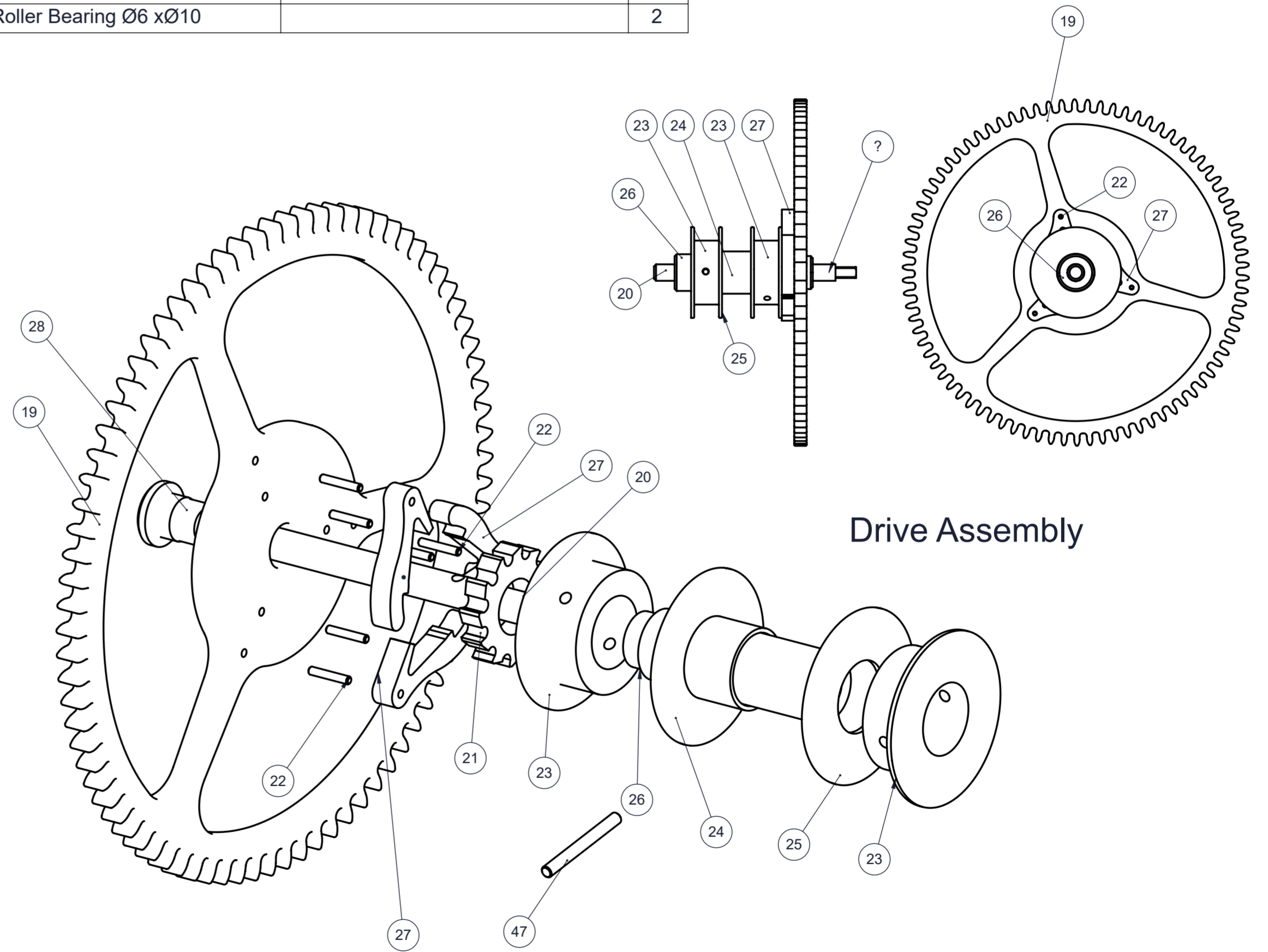
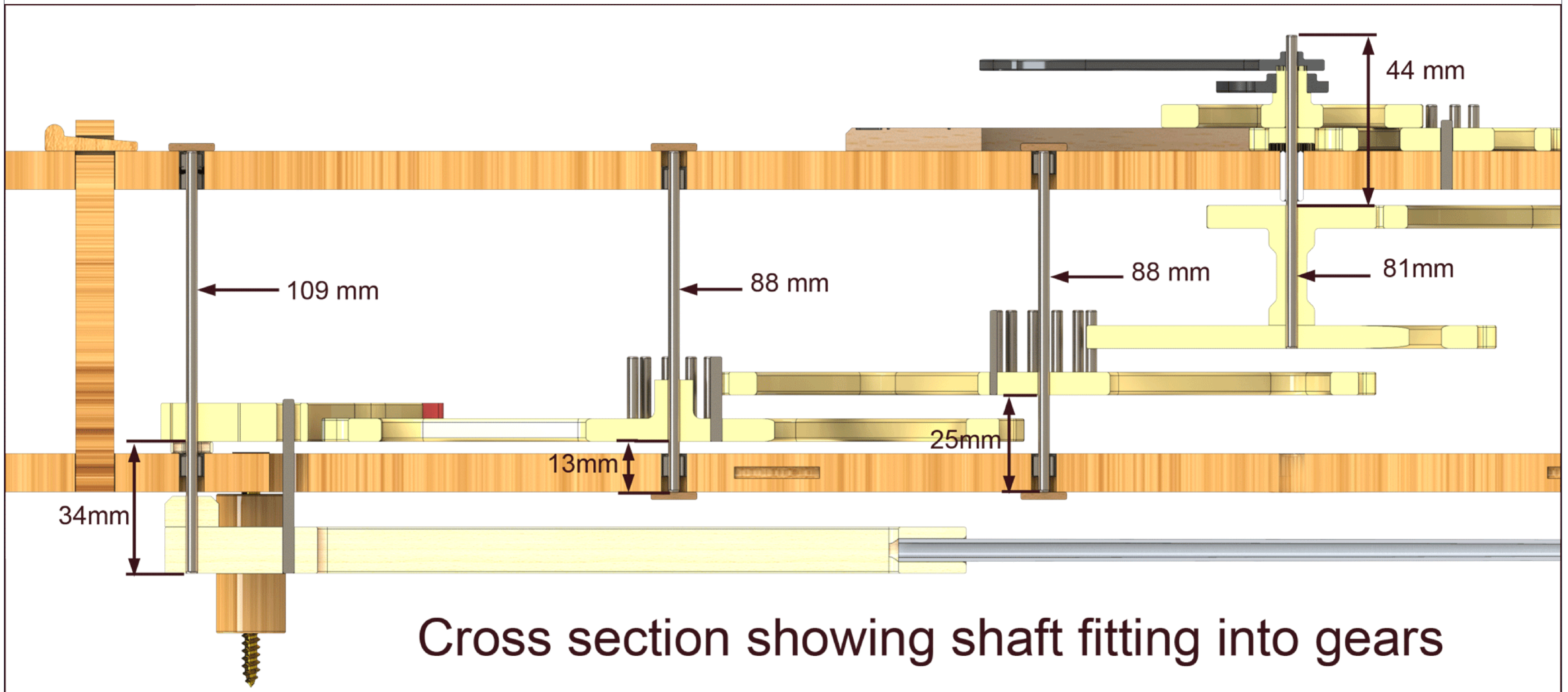


Sht 1 of 9 Shts	A2	Clock-58-50 Hour Clock	
Not to Scale Unless otherwise stated		All dimensions in mm and (inches) 3rd Angle projection	Designed by: Brian law September 2024 www.woodenclocks.co.uk

ITEM NO.	PART NUMBER	DESCRIPTION	QTY.	ITEM NO.	PART NUMBER	DESCRIPTION	QTY.
1	Clock-58-Front Frame	Wood 10 mm thk	1	51	Clock 58-Blank-Small	Wood 2 mm thk	6
2	Clock-58-Back-Frame	Wood 10 mm thk	1	52	Clock-58-Weight 450 grams each	Brass Ø25 x 110 mm	2
3	Clock-58-Wall Spacer	Wood 36 mm thk	2	53	Clock-58-Weight Hanger pin-1	Brass Ø6	2
4	Clock-58-Wall Spacer-Top	Wood Ø18 mm	2	54	Clock-58-weight top	Wood Ø25	2
5	Clock-58-Brace	Wood 10 mm thk	1	58	Clock-58-Pendulum Head	Wood 12 mm thk	1
6	Clock-58-Wedge	Wood 6 mm thk	2	59	Clock-58-Pendulum Bob Centre	Wood 6 mm thk	1
7	Clock-58Frame-Spacer-Top	Wood 10 mm thk	1	60	Clock-58-Pendulum Bob Lock	Wood 6 mm thk	1
8	Clock-58-Frame Spacer bottom	Wood 10 mm thk	1	61	Clock-58-Pendulum-Bob-Bottom	Wood 6 mm thk	1
9	Clock-58-Escape wheel	Wood 6 mm thk	1	62	Clock-58-Pendulum-Bob-Pin-18	Brass Ø6mm	4
10	Clock-58-Escape-Arm	Wood 10 mm thk	1	63	Clock-58-BoB-Fluer-lis	Wood 4mm thk	1
11	Clock-58-Pallet	Wood 10 mm thk	2	64	Clock-58-Pendulum Rod	Carbon Fibre Ø6 x1000 mm long	1
12	Clock-58-Pallet-Clamp	Wood 10 mm thk	2	65	Wood Screws-No 4	Woodscrew No4-12mm	2
13	Clock-58-Gear-84-Teeth-13t	Wood 6 mm thk	1	66	Woodscrew No10-60mm	Woodscrew No10-60mm	4
14	Clock-58-Hour-Gears-10-Teeth	Wood 6mm thk	1	67	Clock-58-Shaft-Retainer -3-3	Plastic 2 mm thk	1
15	Clock-58-Hour-Gears-30-Teeth	Wood 6mm thk	1	68	Clock-58-Pendulum Bob Top	Wood 6mm thk	1
16	Clock-58-Hour-Gears-32-Teeth	Wood 6mm thk	1	69	Needle-Roller Bearing Ø6 xØ10		2

17	Clock-58-Gear-51-Teeth-2	Wood 6 mm thk	1
18	Clock-58-Gears-20-Teeth	Wood 6mm thk	1
19	Clock-58-Drive-82-Teeth	Wood 6mm thk	1
20	Clock-58-Drive-Shaft	Brass Ø8 mm x 99mm	1
21	Clock-58-Ratchet	Wood 6mm thk	1
22	Clock-58-Pawl-Pin	Brass Pin Ø2mm	6
23	Clock-58-Drum-1	Wood Ø34	2
24	Clock-58-Drum-2	Wood Ø34	1
25	Clock-58-Drum-3	Wood Ø34	1
26	Clock-58-Drum-Sleeve-Centre	Wood Ø18 mm	1
27	Clock-58-Winder-Shaft-Pawl	Wood 6mm thk	3
28	Clock-58-Winder-Spacer	Wood Ø16 mm	1
29	Clock-58-Dial	Wood 6mm Thk	1
30	Clock-58-Hour-Hand	Plastic 6mm thk	1
31	Clock-58-Minute-Hand-2	Plastic 6 mm thk	1
32	Clock 58-Bearing-sleeve	Plastic Ø6 mm	1
33	Clock-58-Pulley-Support-2	Wood Ø20mm	1
34	Clock-58-Pulley	Wood 10 mm thk	2
35	Clock-58-Pulley-Support-1	Wood Ø20mm	1
36	Clock-58-Pulley-Pin-1	Brass Pin Ø6mm	1
37	Clock-58-Pulley-Pin-2	Brass Pin Ø6mm	1
38	Clock-58-Pulley-Retainer	Plastic 3mm thk	2
39	Clock-58-Pendulum-Pin	Brass Pin Ø3mm	1
40	Clock-58-Pin-3-22	Brass Pin Ø3mm	24
41	Clock-58-Pin-3-88	Brass Pin Ø3mm	2
42	Clock-58-Pin-3-109	Brass Pin Ø3mm	1
43	Clock-58-Pin-3-18	Brass Pin Ø3mm	1
44	Clock-58-Pin-3-14	Brass Pin Ø3mm	2
45	Clock-58-Pin-3-12	Brass Pin Ø3mm	8
46	Clock-58-Pin-3-81	Brass Pin Ø3mm	1
47	Clock-58-Pin-Drum	Steel Ø2 mm x 29mm	1
48	Needle-Roller Bearing-8mm	HK 0810	2
49	Needle-Roller-Bearing-3X6.5X6	HK 0306	6
50	Clock 58-Blank-Large	Plastic 2 mm thk	1

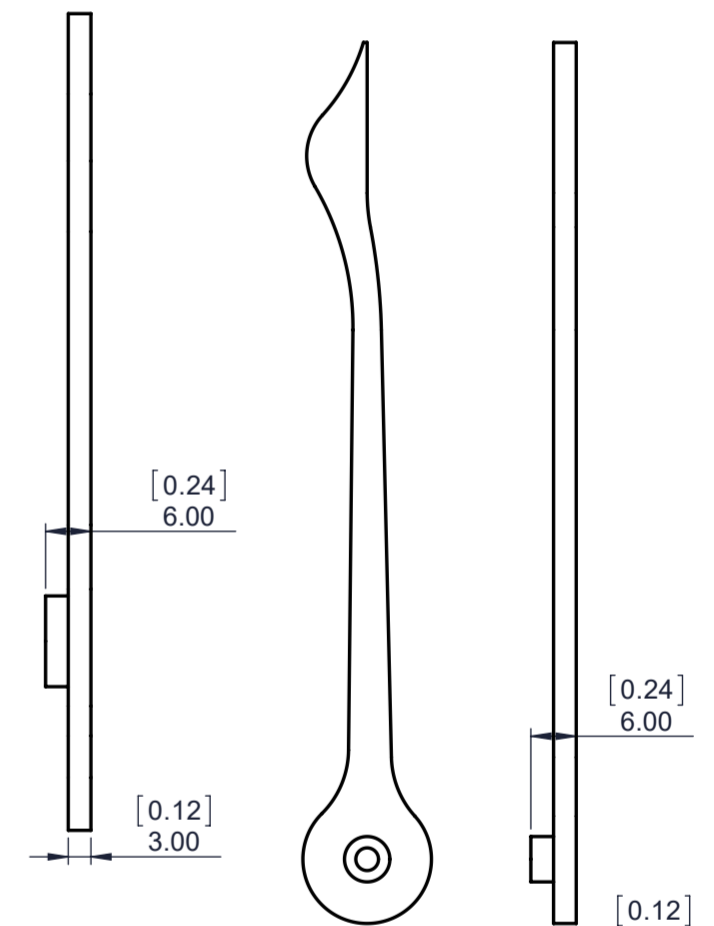
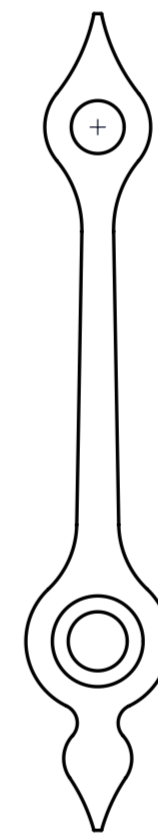
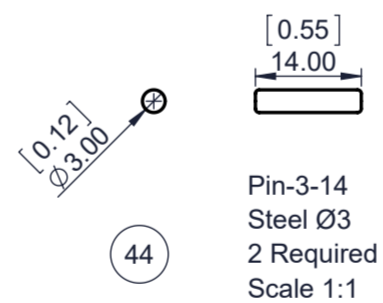
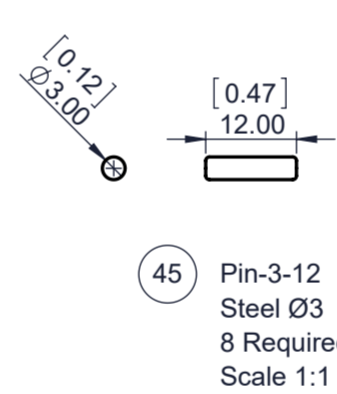
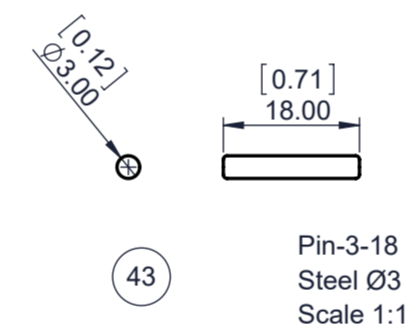
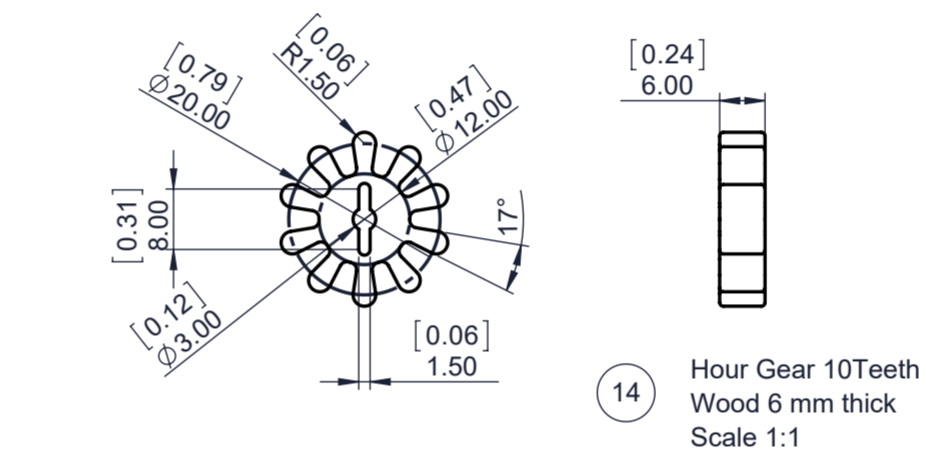
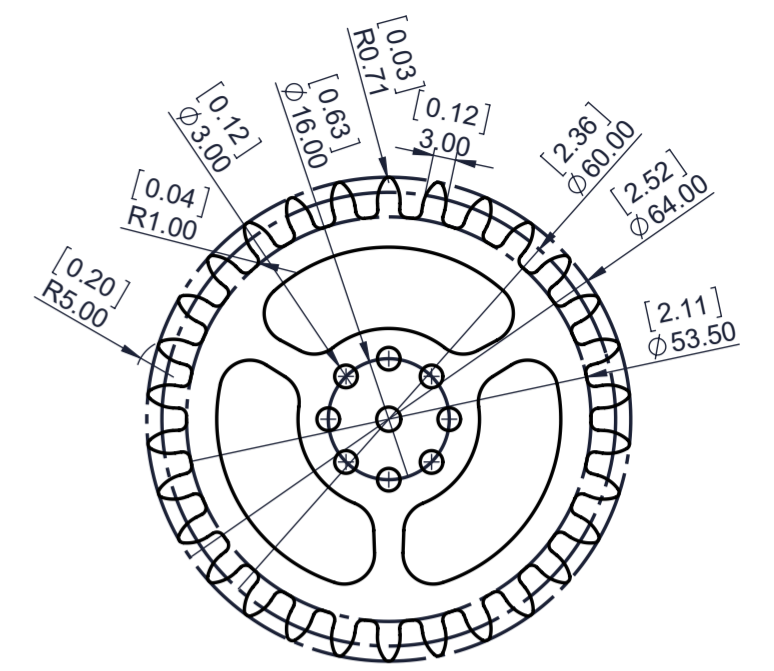
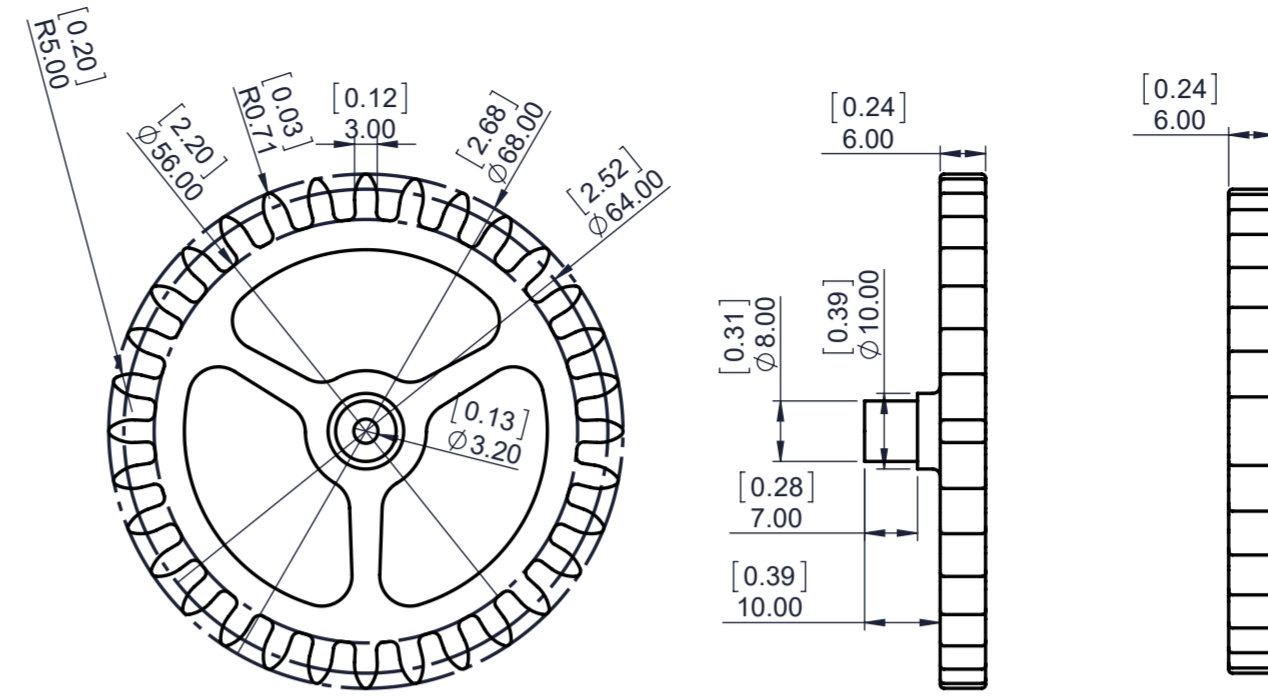
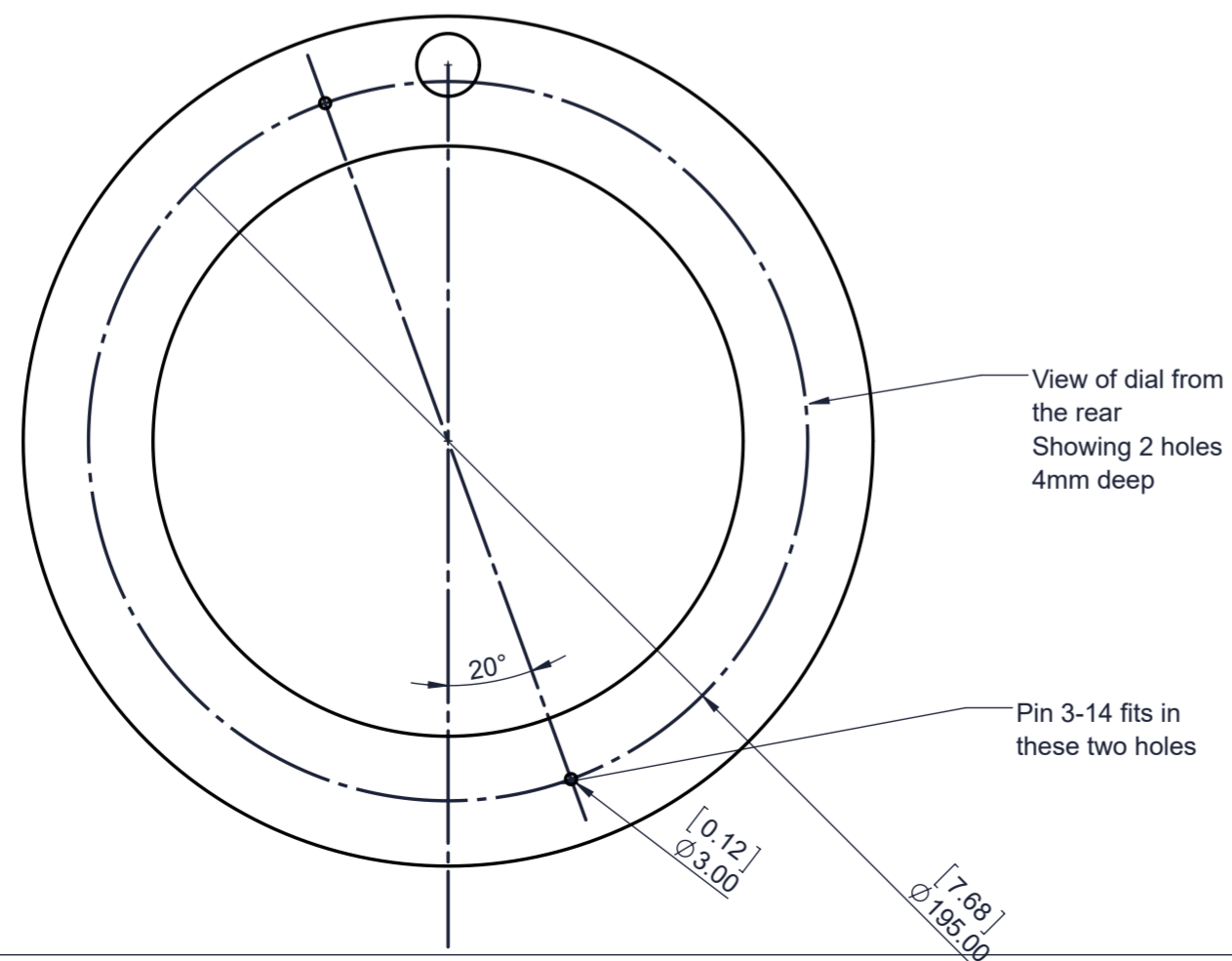
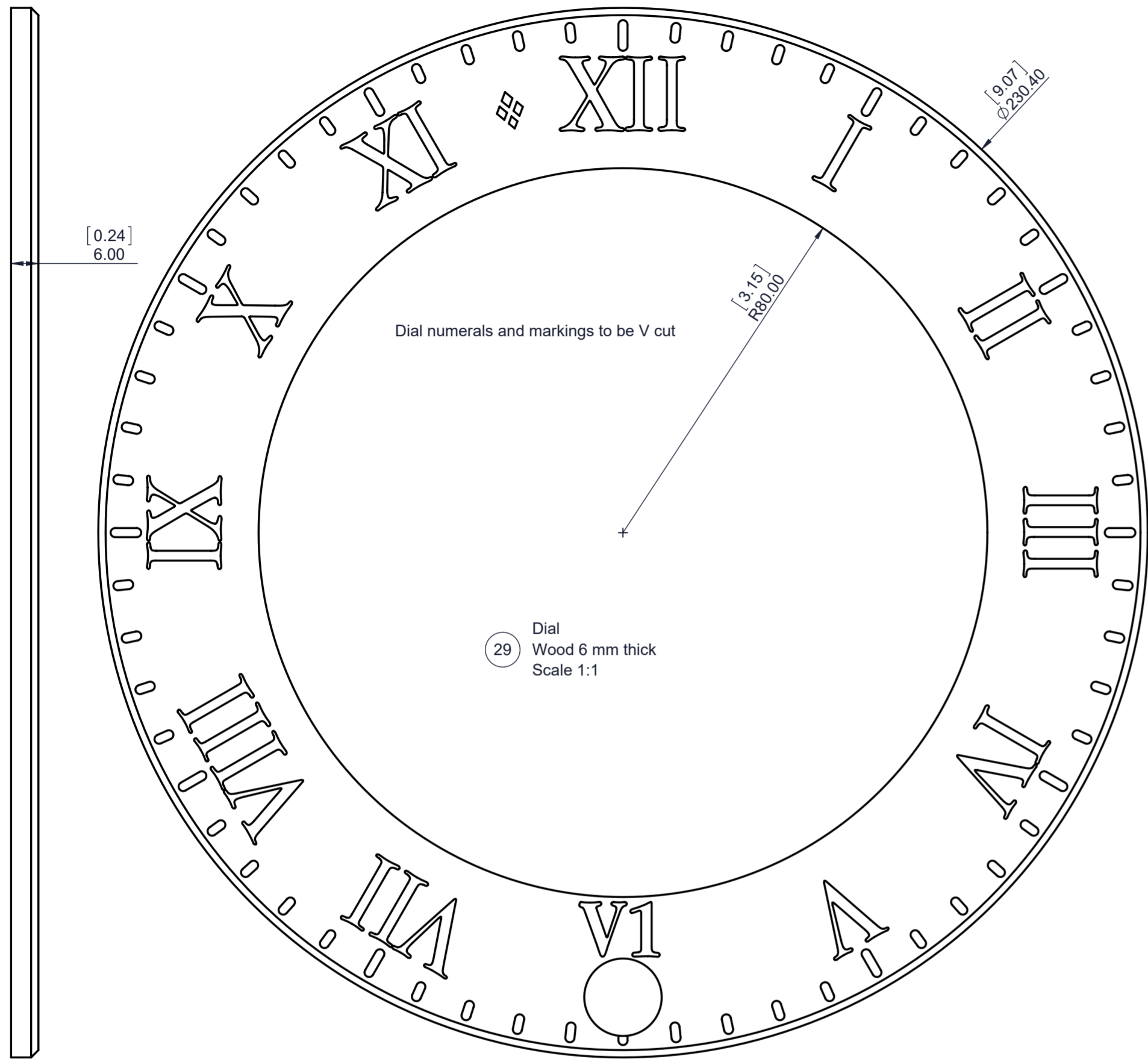




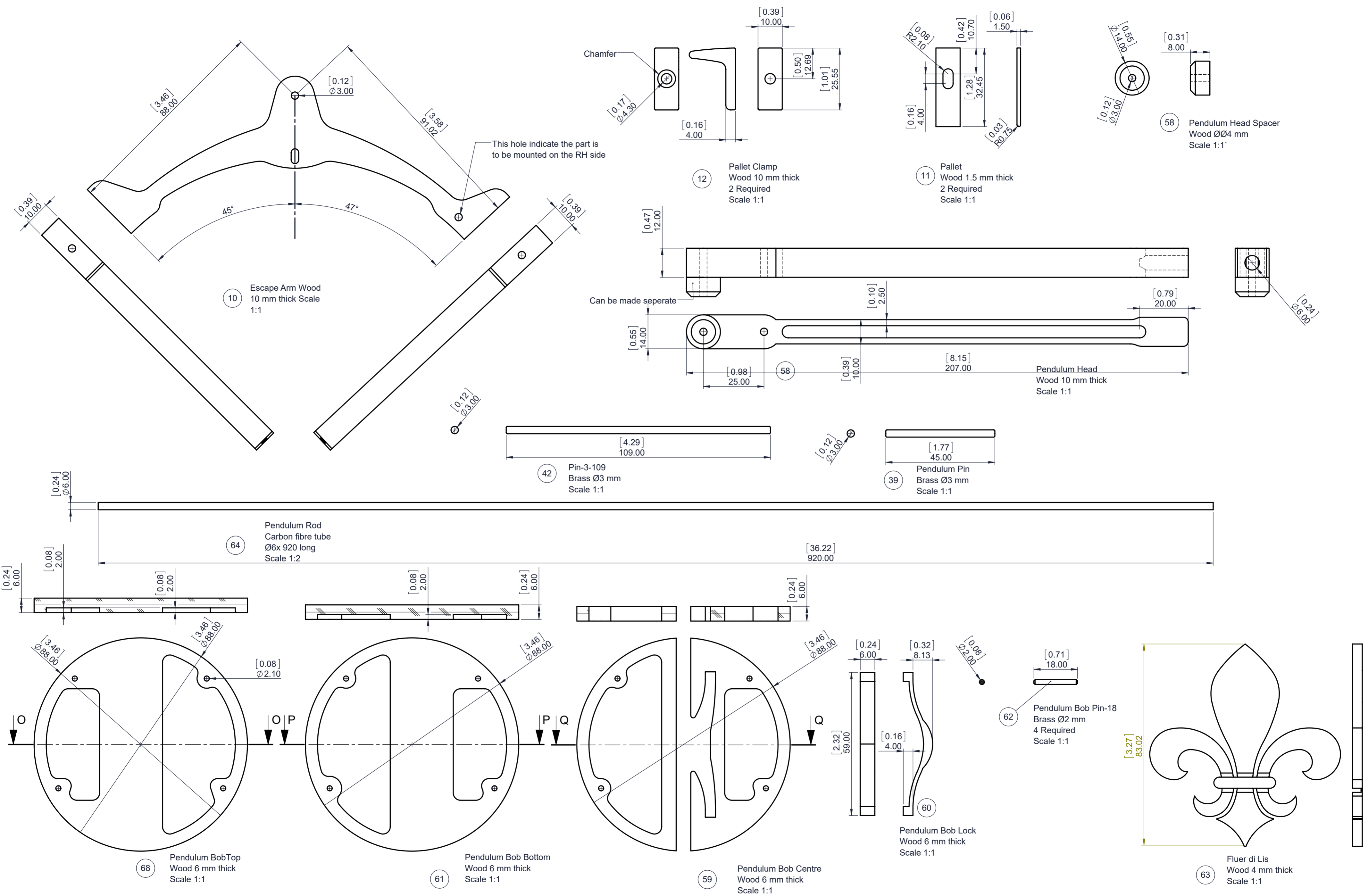
Cross section showing shaft fitting into gears

Sht 3 of 9 Shts	A2	Clock-58-50 Hour Clock	
Not to Scale Unless otherwise stated		All dimensions in mm and (inches) 3rd Angle projection	Designed by: Brian law September 2024 <a href="http://www.woodenclocks.co.uk">www.woodenclocks.co.uk</a>



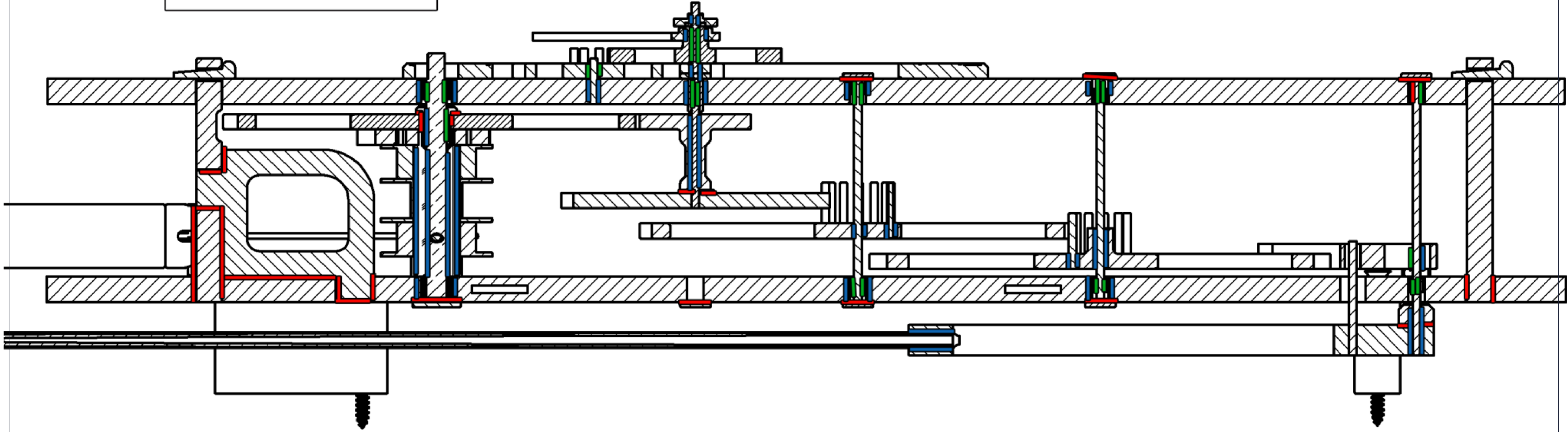


Sht 6 of 9 Shts	A2	Clock-58-50 Hour Clock	
Not to Scale Unless otherwise stated		All dimensions in mm and (inches) 3rd Angle projection	Designed by: Brian law September 2024 www.woodenclocks.co.uk



Sht 7 of 9Shts	A2	Clock-58-50 Hour Clock	
Not to Scale Unless otherwise stated		All dimensions in mm and (inches) 3rd Angle projection	Designed by: Brian law September 2024 www.woodenclocks.co.uk

	Loose Fit
	Tight Fit
	Glued



Sht 9 of 9 Shts	A2	Clock-58-50 Hour Clock	
Not to Scale Unless otherwise stated		All dimensions in mm and (inches) 3rd Angle projection	Designed by: Brian Iaw September 2024 www.woodenclocks.co.uk