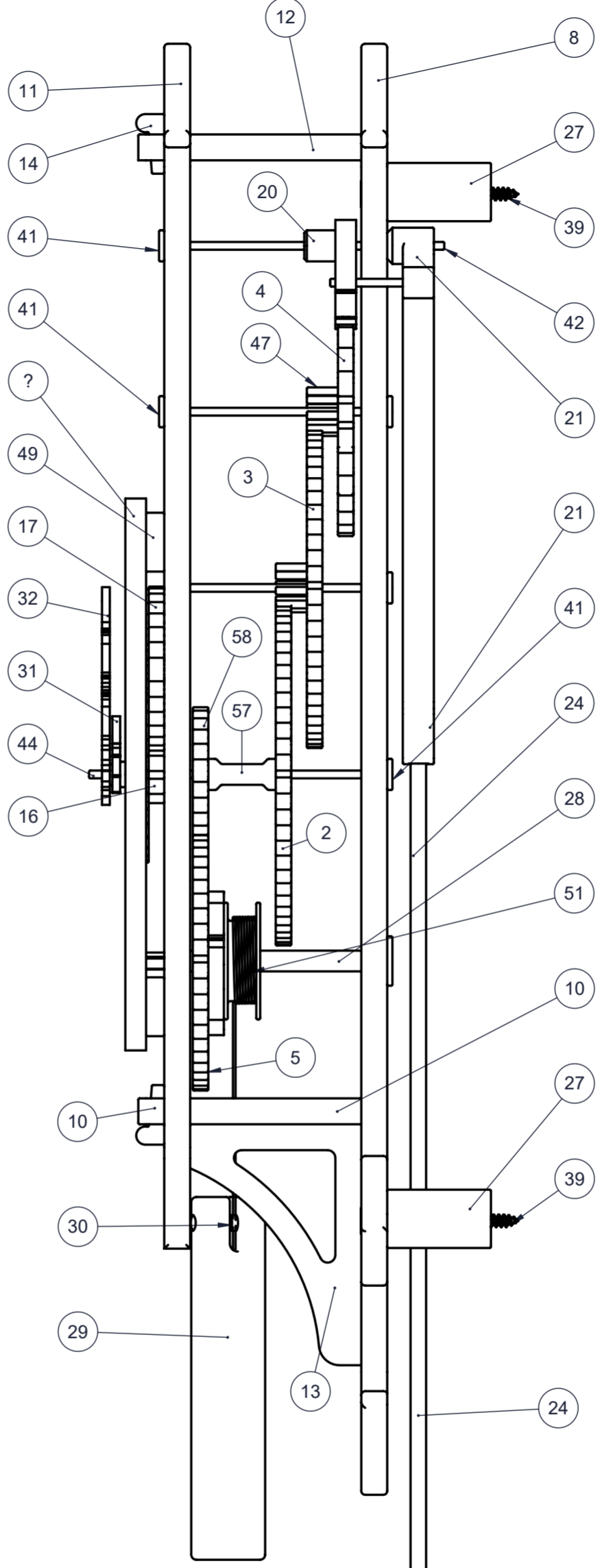
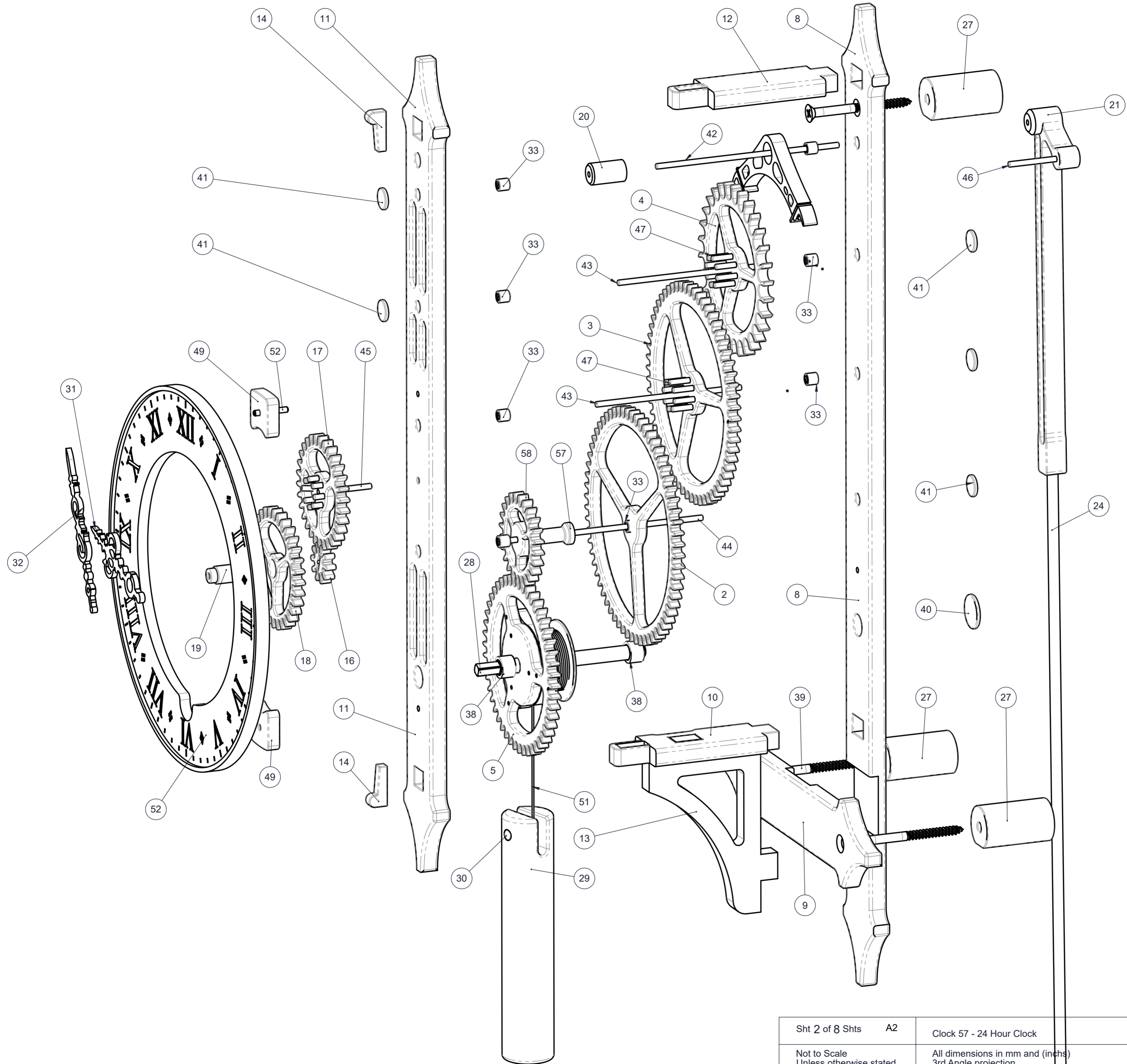


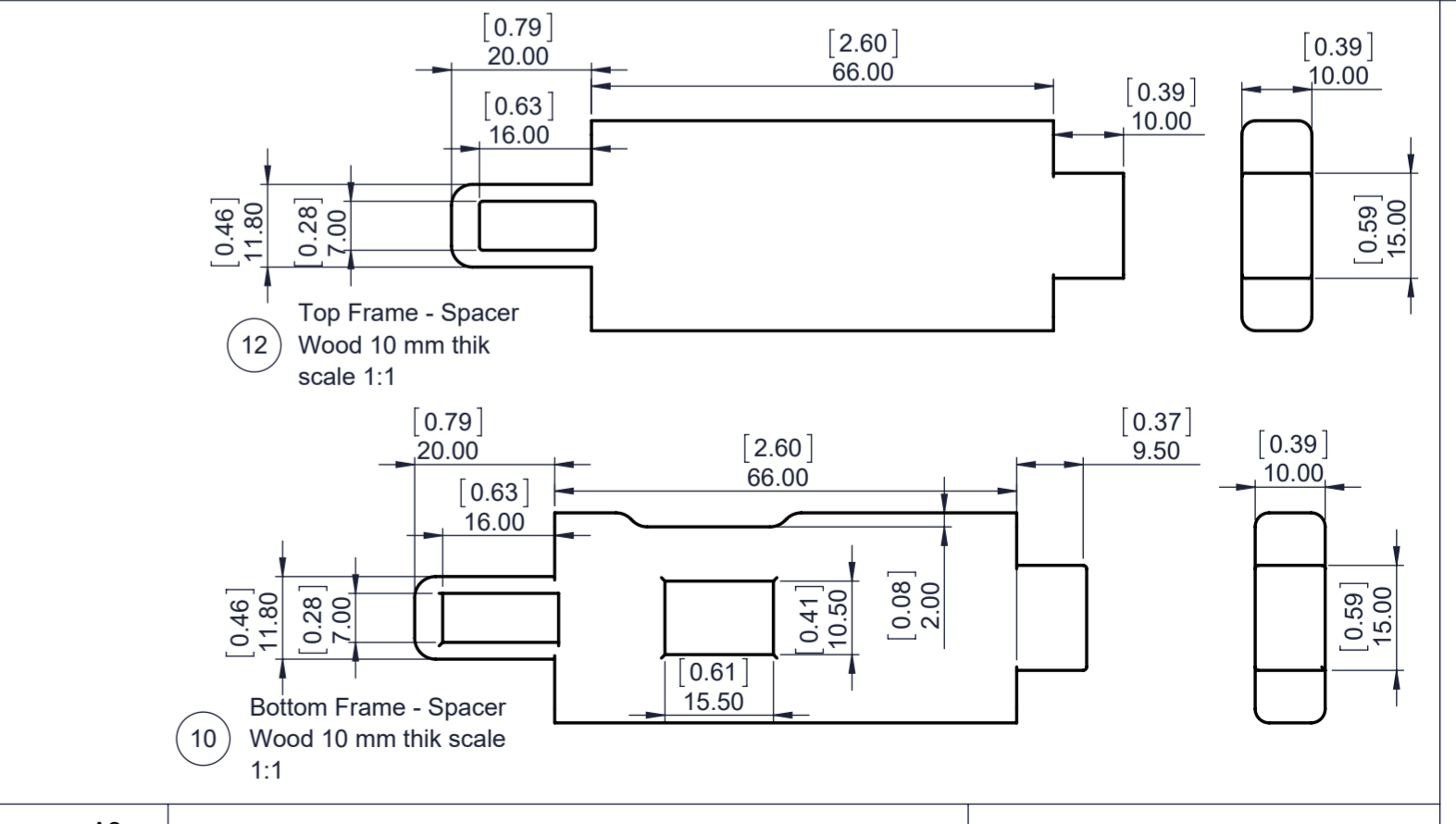
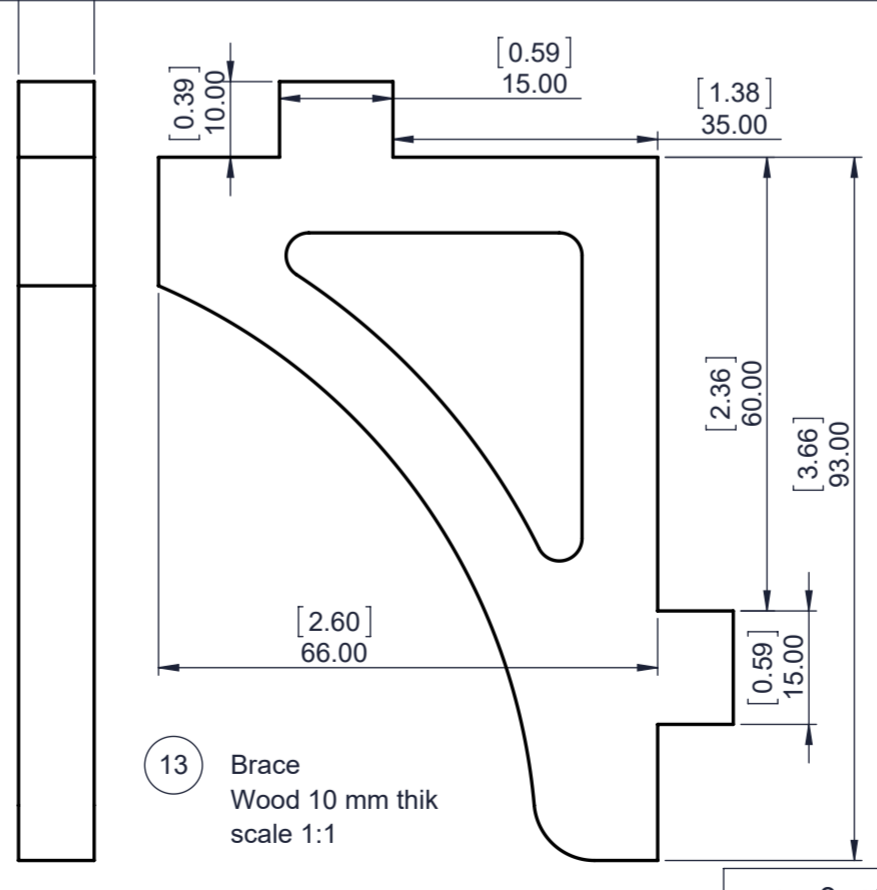
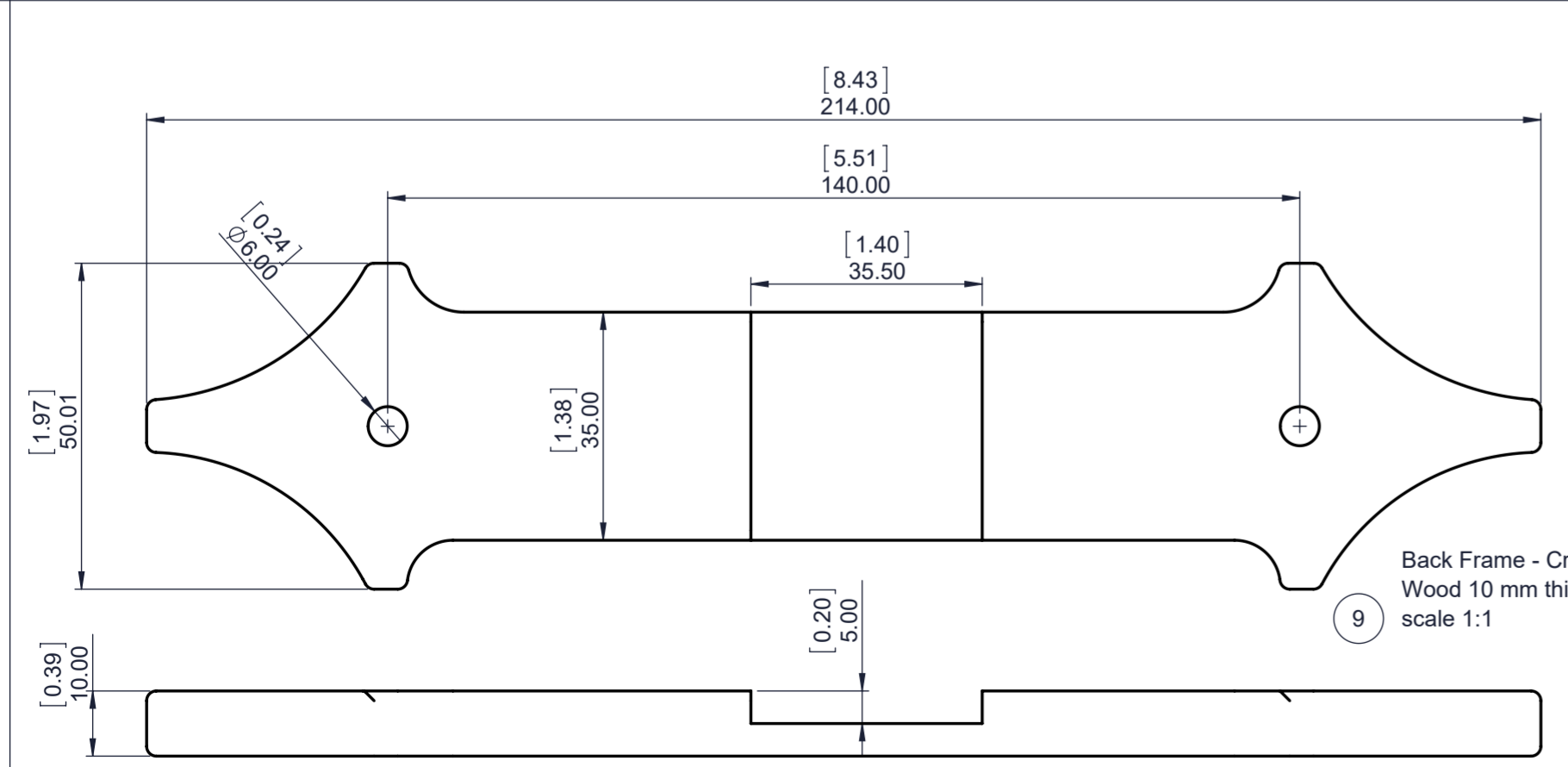
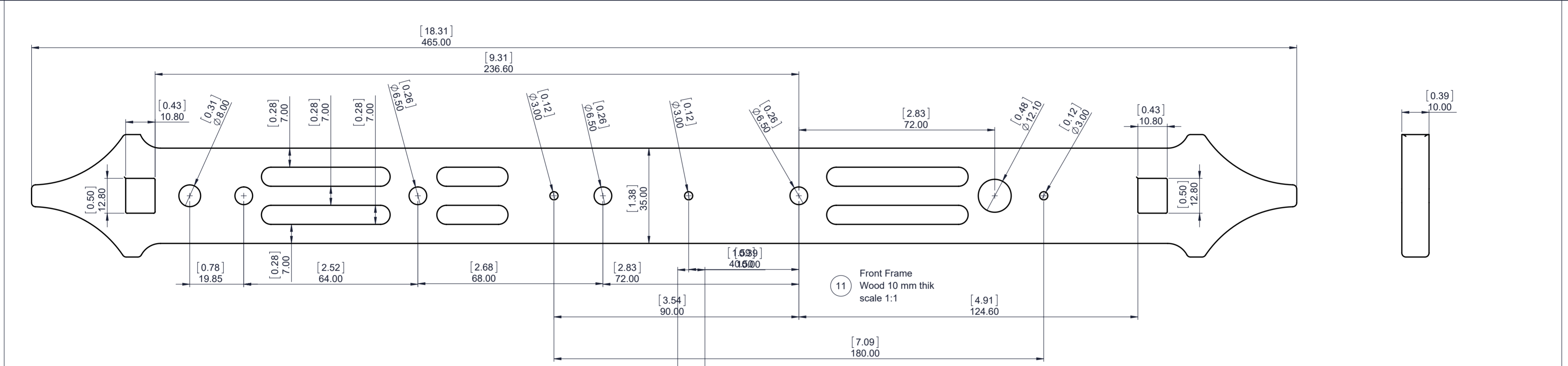
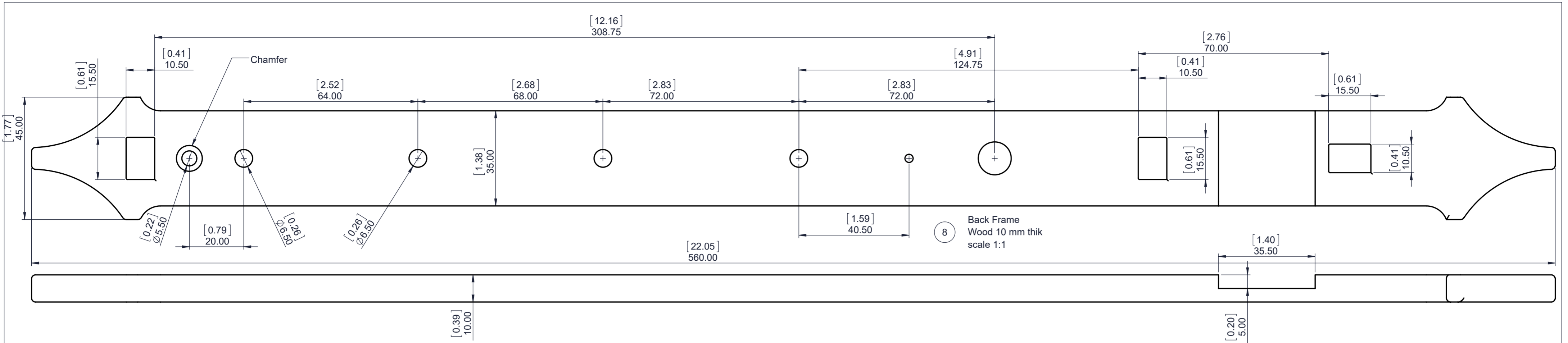
SECTION K-K
SCALE 1 : 2

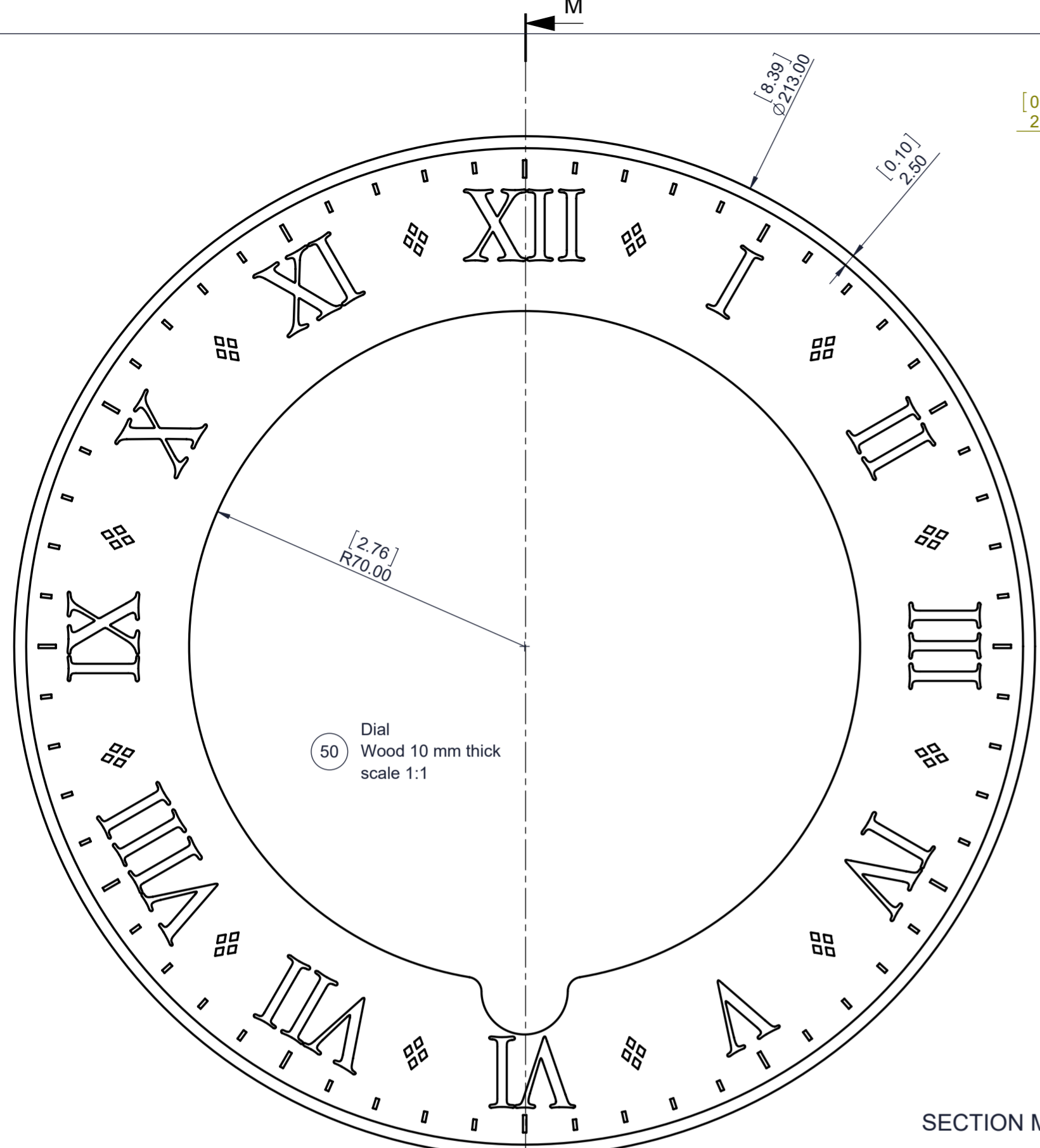


ITEM NO.	PART NUMBER	DESCRIPTION	QTY.
2	Clock-57-Gear-64-Teeth	Wood 6mm thk	1
3	Clock-57-Gear-60-Teeth	Wood 6mm thk	1
4	Clock-57-Escape Wheel-30t	Wood 6mm thk	1
5	Clock-57-Gear-48-Teeth	Wood 6mm thk	1
6	Clock-57-Ratchet	Wood 6mm thk	1
7	Clock-57-Drum	Wood Ø34	1
8	Clock-57-Back-Frame		1
9	Clock-57-Back-Frame-Cross		1
10	Clock-57-Bottom-Frame-Spacer		1
11	Clock-57-Front-Frame		1
12	Clock-57-Top-Frame-Spacer		1
13	Clock-57-Brace		1
14	Clock-57-Wedge		2
15	Clock-57-Escape-Arm	Wood 10 mm thk	1
16	Clock-57-Hour-Gears-10-Teeth	Wood 6mm thk	1
17	Clock-57-Hour-Gears-30-Teeth	Wood 6mm thk	1
18	Clock-57-Hour-Gears-32-Teeth	Wood 6mm thk	1
19	Clock-57-Hour-Tube	Wood Ø10	1
20	Clock-57-Escape-Arm-Sleeve		1
21	Clock-57-Pendulum Head	Wood 12 mm thk	1
22	Clock 57-Pendulum Bob Top	Wood 6mm thk	1
23	Clock-57-Pendulum Bob Lock		1
24	Clock-57-Pendulum Rod	Carbon Fibre -Ø6 x1000 mm long	1
25	Clock 7-Pendulum Bob Centre		1
26	Clock-57-Pendulum-Bob-Bottom		1
27	Clock-57-Wall-Spacer		3
28	Clock-57-Drive-Shaft	Brass Ø8 mm x 99mm	1
29	Clock-57-Weight	Brass Ø28.5 x 125 mm	1
30	Clock-57-Weight Hanger pin-1	Brass Ø6 x 30 mm	1
31	Clock-57-Hour-Hand	HIPS or ABS 2mm thk	1
32	Clock-57-Minute Hand	HIPS or ABS 2mm thk	1
33	Needle-Roller-Bearing-3X6.5X6	HK 0306	9
34	Clock-57-Pallet		2
35	Clock-57-Pallet-Clamp		2
36	Wood Screws-No 5		2
37	Clock-57-Winder-Shaft-Pawl	Wood 6mm thk	3
38	Needle-Roller Bearing-8mm		3
39	Woodscrew No10-60mm	Woodscrew No10-60mm	3
40	Clock 57-Blank-Large		1
41	Clock 57-Blank-Small		5
42	Clock-57-Shaft-108		1
43	Clock-57-Shaft-86		2
44	Clock-57-Shaft-115		1
45	Clock-57-Shaft-16		1
46	Clock-57-Shaft-40		1
47	Clock-57-Shaft-18		16
48	Clock-57-Shaft-12		8
49	Clock-57-Dial-Spacer		2
50	Clock-57-Dial	Wood 6mm Thk	1
51	Weight Cord	Blind Cord Ø0.5 mm	1
52	Clock 57-Pin-3-20mm		2
53	Clock-57-Drum-Pin-30		1
54	Clock-57-Drum-Pin-12		6
55	Clock-57-Drum-Pin-20		2
56	Clock-57-Pendulum-Bob-Pin-18		4
57	Clock 57-Spindle		1
58	Clock-57-Gear-24-Teeth	Wood 6mm thk	1

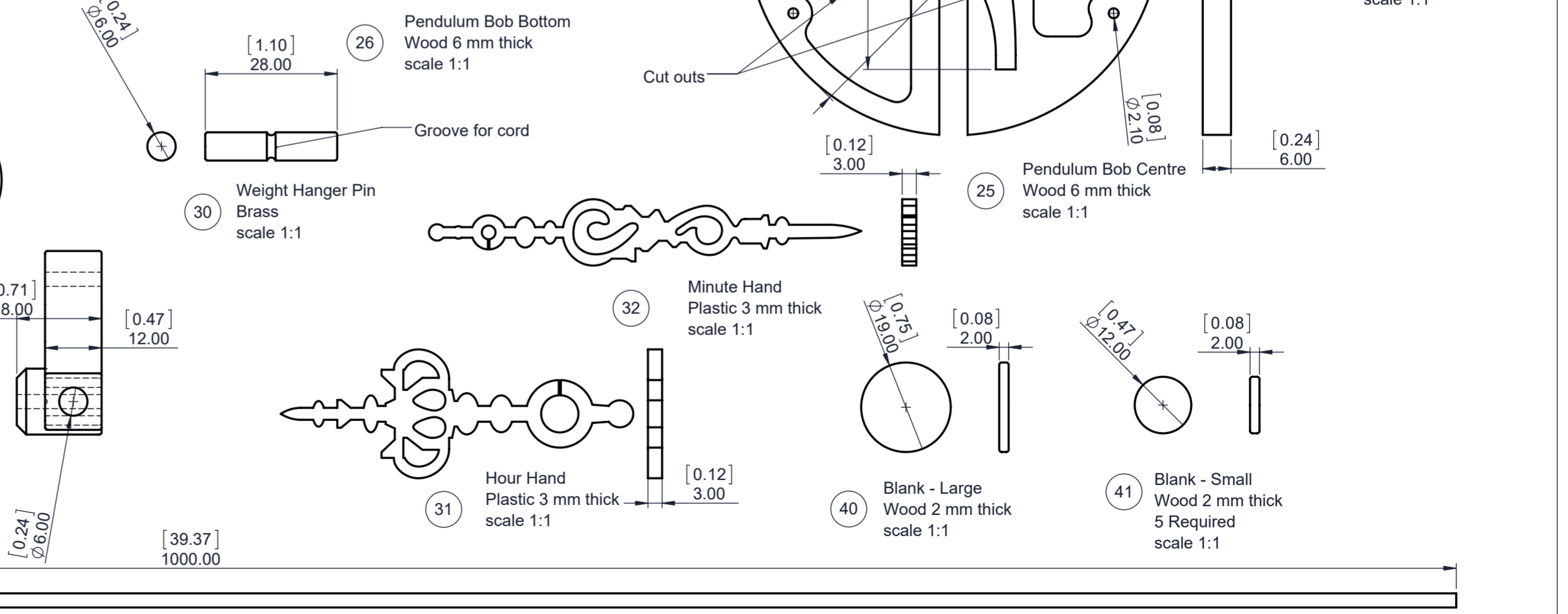
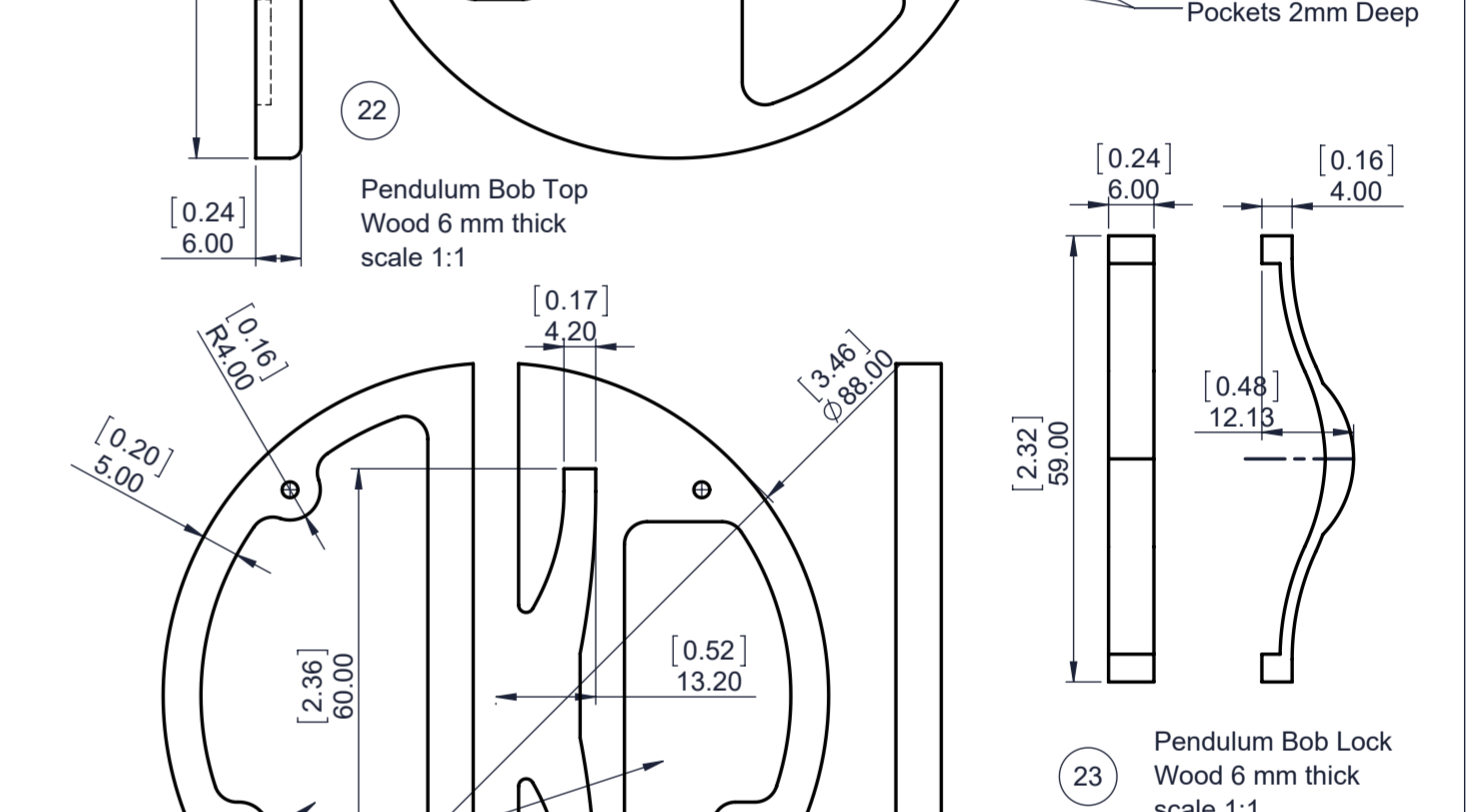
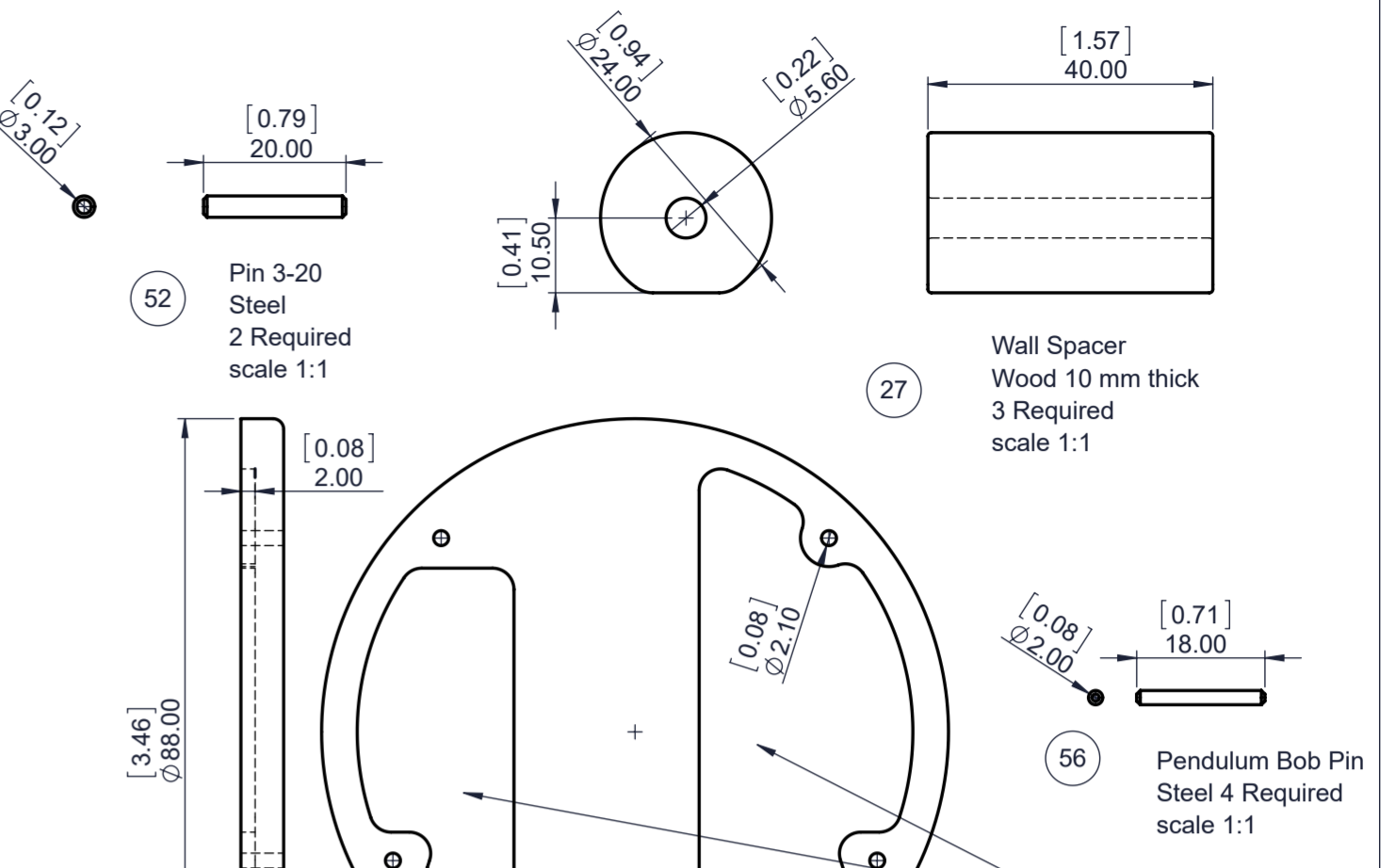
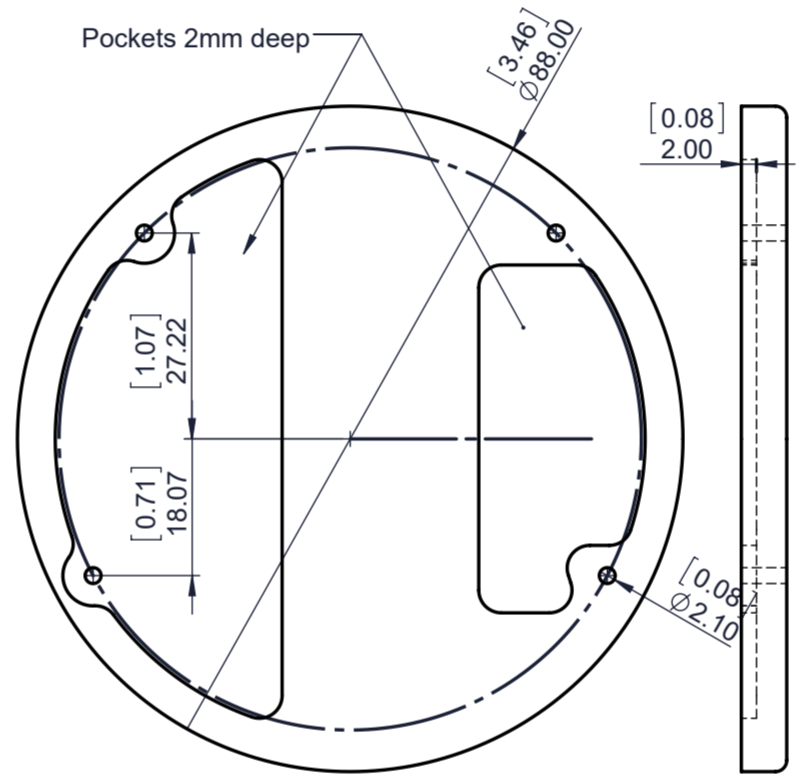
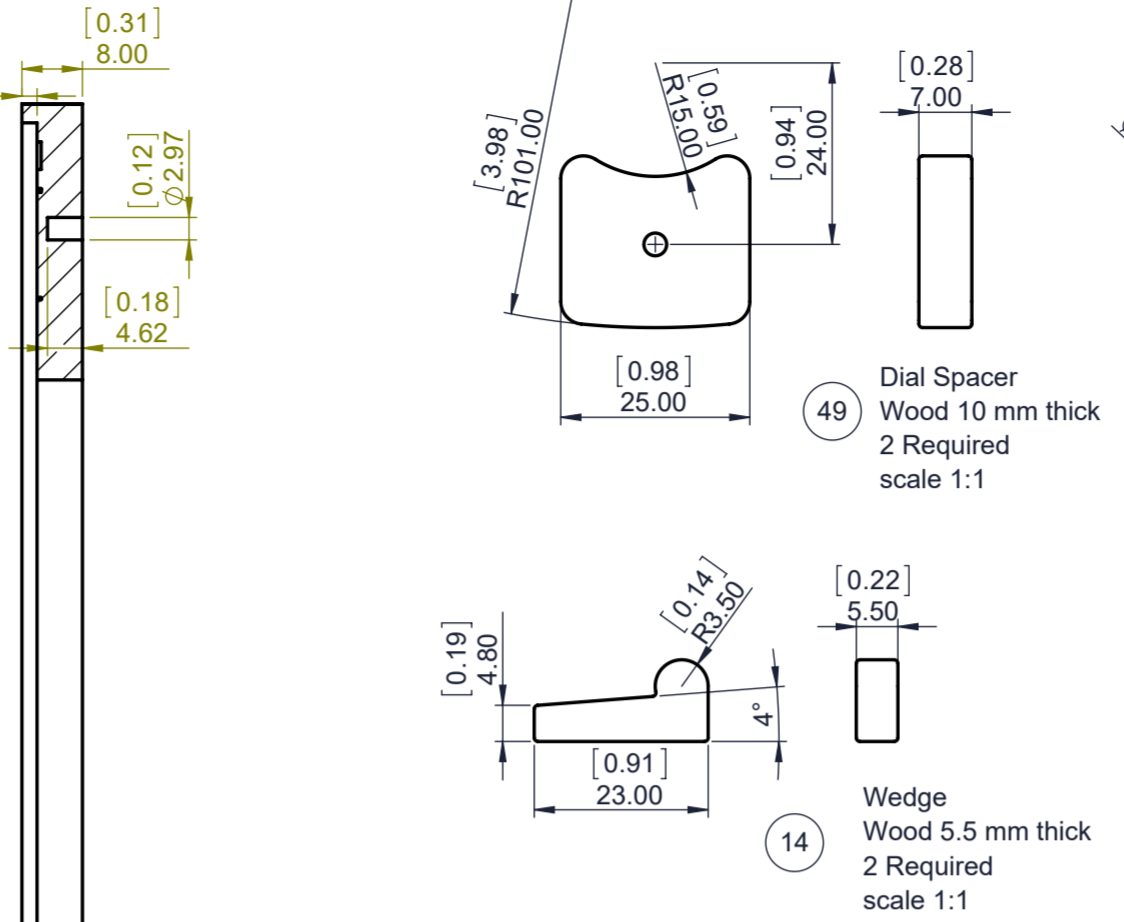
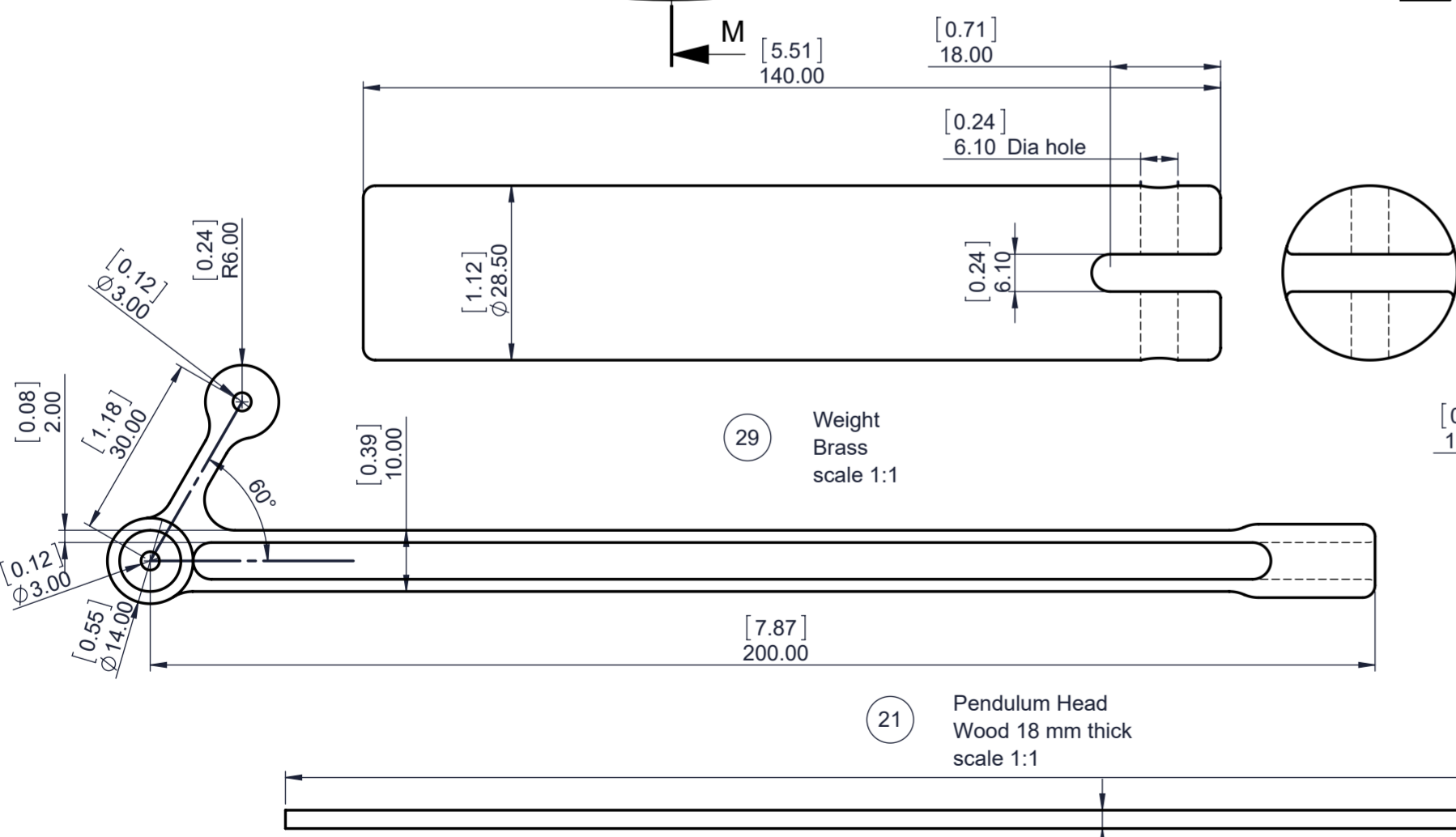


Sht 2 of 8 Shts	A2	Clock 57 - 24 Hour Clock	
Not to Scale Unless otherwise stated		All dimensions in mm and (inches) 3rd Angle projection	Designed by: Brian Iaw September 2024 www.woodenclocks.co.uk





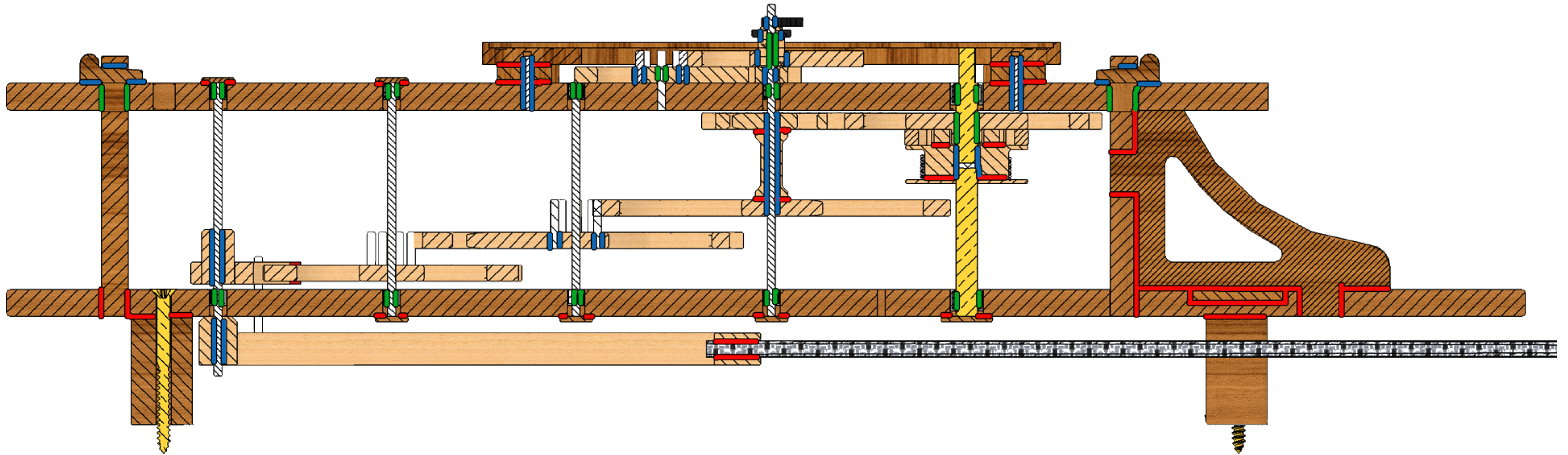
SECTION M-M



Sht 4 of 8 Shts	A2	Clock 57 - 24 Hour Clock	
Not to Scale Unless otherwise stated		All dimensions in mm and (inches) 3rd Angle projection	Designed by: Brian law September 2024 www.woodenclocks.co.uk

- Loose Fit
- Tight Fit
- Glued

All bearings are a Tight fit in their bores.



Sht 8 of 8 Shts A2

Clock 57 - 24 Hour Clock

Not to Scale
Unless otherwise stated

All dimensions in mm and (inches)
3rd Angle projection

Designed by: Brian Iaw
September 2024 www.woodenclocks.co.uk