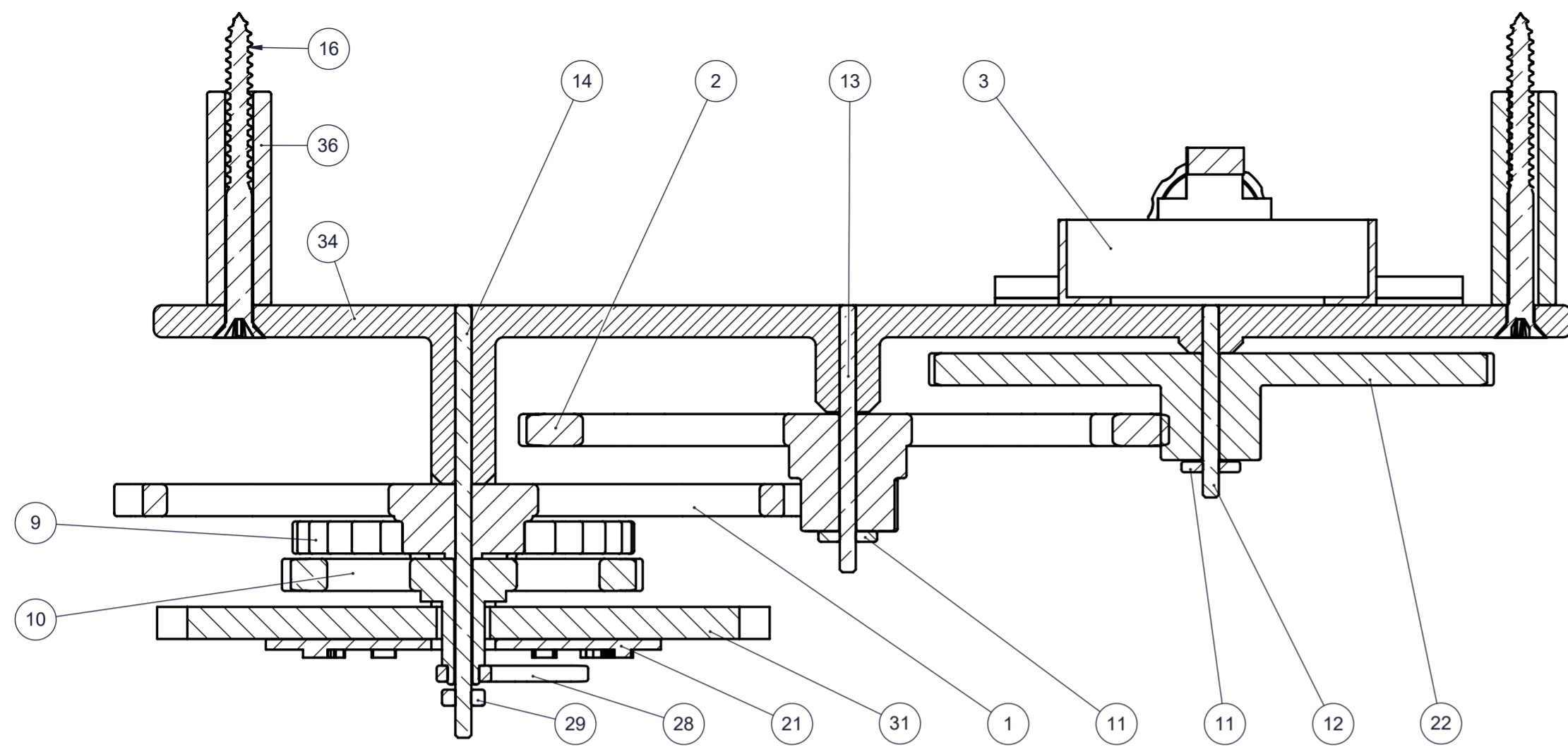
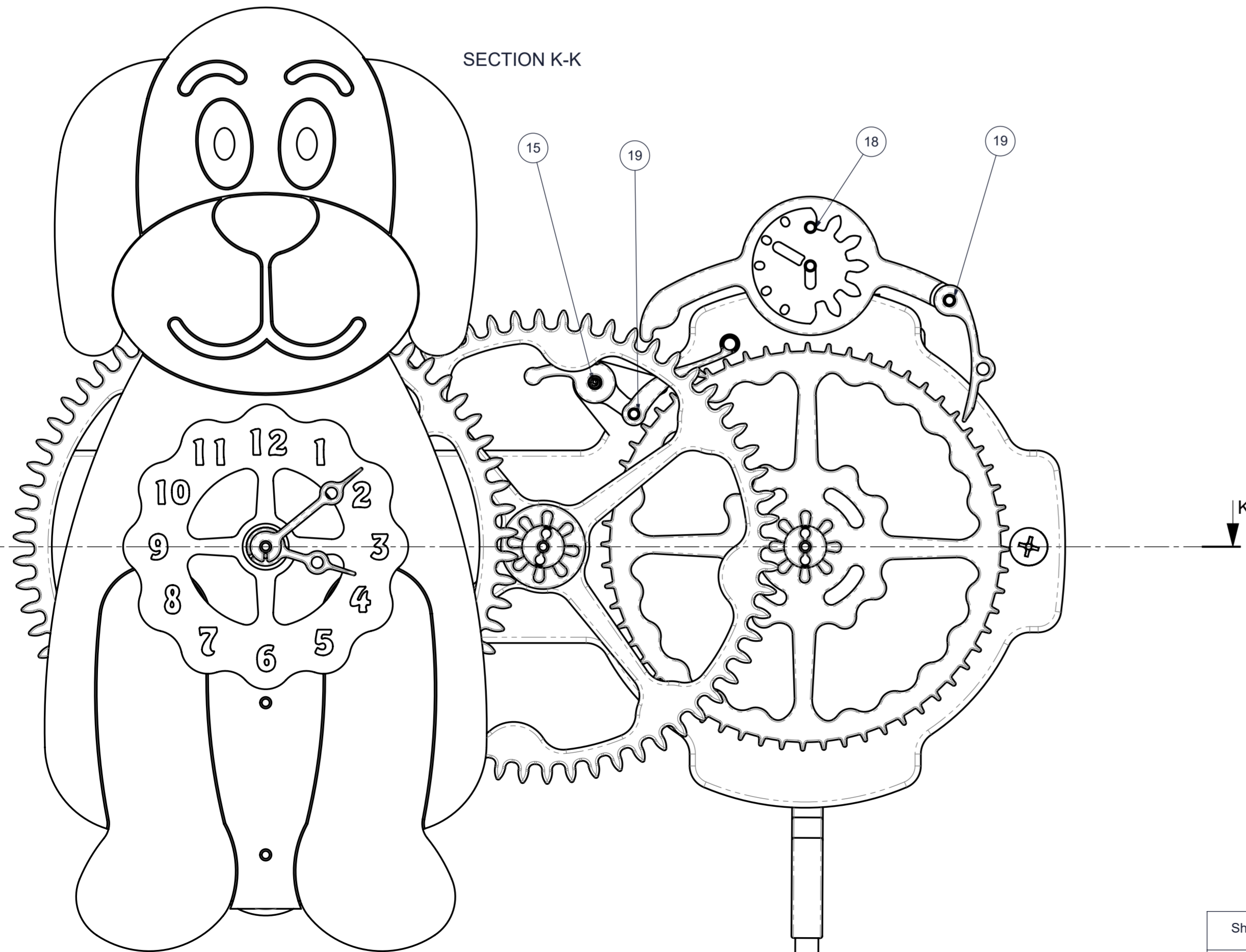


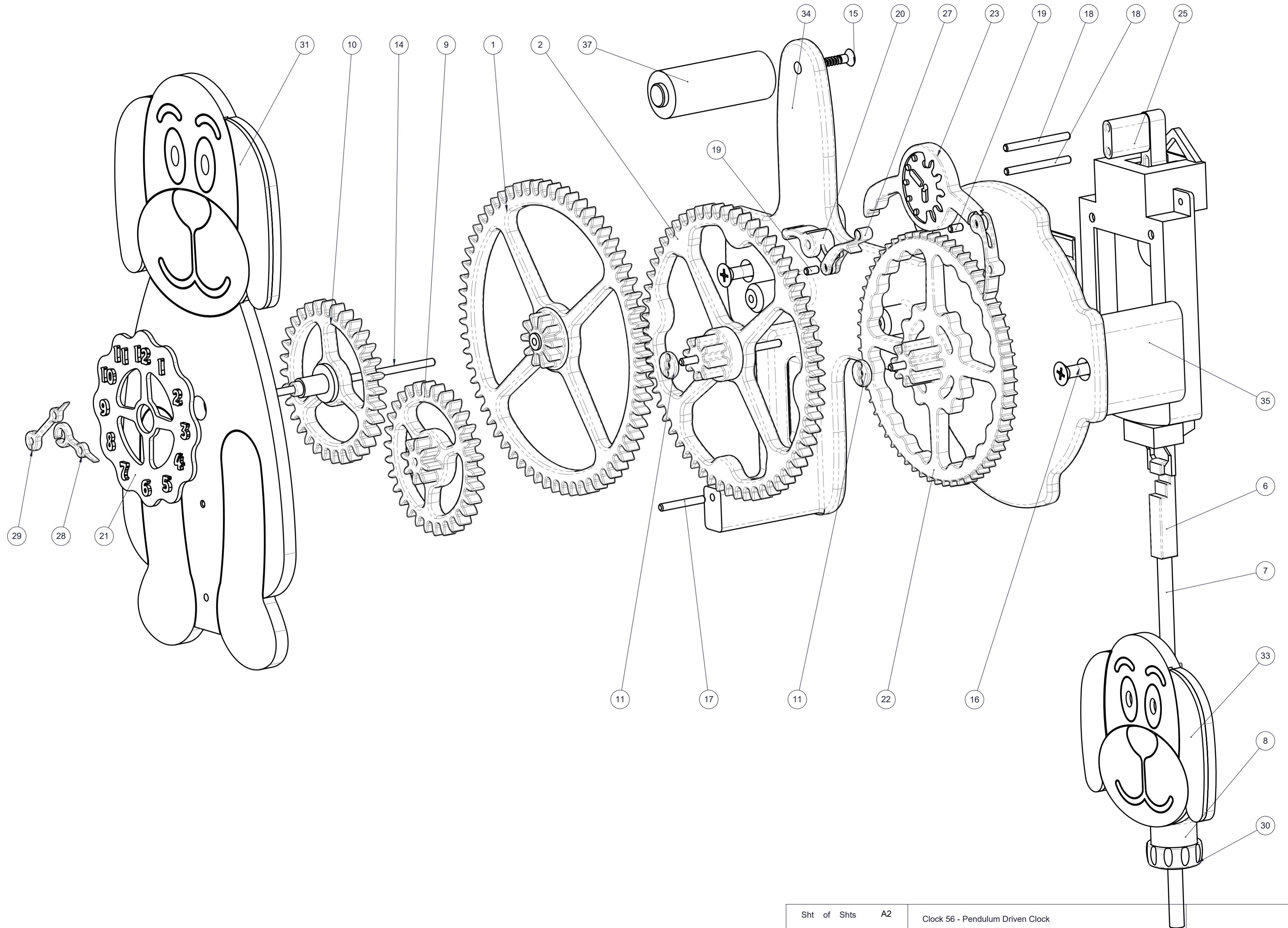
Sht 1 of 5 Shts	A2	Clock 56 - Pendulum Driven Clock	
Not to Scale Unless otherwise stated		All dimensions in mm and (inches) 3rd Angle projection	Designed by: Brian law www.woodenclocks.co.uk
			May 2024



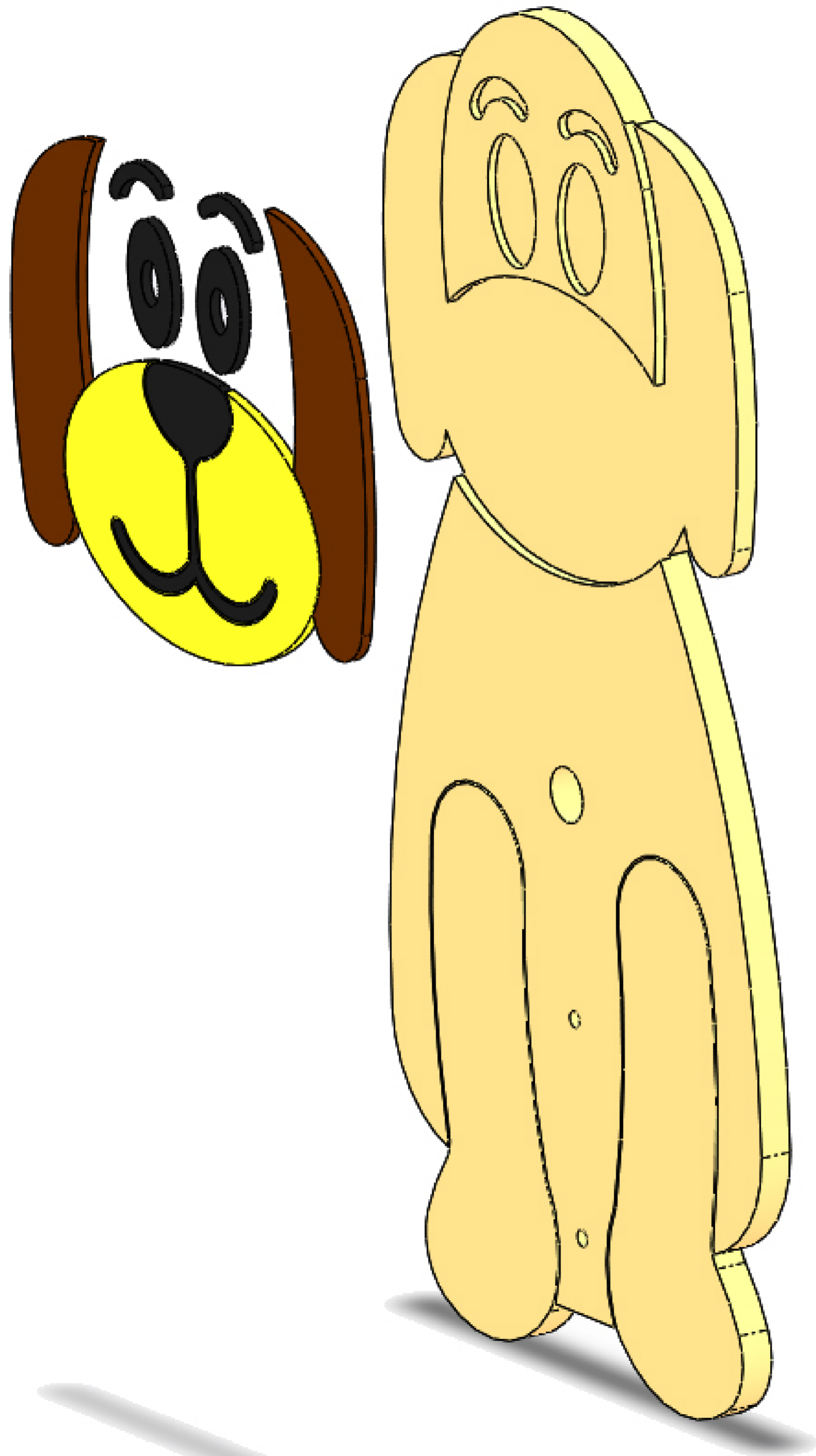
SECTION K-K



ITEM NO.	PART NUMBER	DESCRIPTION	QTY.
1	Clock-56-Gear-64-Teeth	Plastic	1
2	Clock-56-Gear-60-Teeth	Plastic	1
3	Clock53-Pendulum-Drive-1	Proprietary Part	1
4	Clock-53-Pendulum-Drive-2	Proprietary Part	1
5	Clock-53-Pendulum-Drive-3	Proprietary Part	1
6	Clock-56-Pendulum-Hook	Plastic	1
7	Clock-56-Pendulum-Rod	Ø6 x 170mm long Plastic tube	1
8	Clock-56-Pendulum-Weight	Brass Ø19x20 long Ø7 Bore	1
9	Clock-56-Hour-Gears-30-Teeth	Plastic	1
10	Clock-56-Hour-Gears-32-Teeth	Plastic	1
11	Clock-56-Shaft-Retainer -3-2	Plastic	2
12	Clock-56-Shaft-36mm	Steel pin Ø3 mmx 36 mm long	1
13	Clock-56-Shaft-50mm	Steel pin Ø3 mmx 50 mm long	1
14	Clock-56-Shaft-81mm	Steel pin Ø3 mmx 81 mm long	1
15	Screws for Wood-No6-5-8	Woodscrew-No6-5-8	2
16	Screws for WoodNo10-60mm	Woodscrew No10-60mm	2
17	Clock-52-Lantern-Pin-12mm	Steel Pin Ø3 mmX12mm long	2
18	Clock-52-Location-Pin-32mm	Steel Pin Ø3 mmx 32 mmB10	2
19	Clock-52-Location-Pin-6mm	Steel Pin Ø3 mmx6mm long	2
20	Clock-55-Back-Stop-Pivot	Steel Pin Ø3 mm	1
21	Clock-56-Dog-Dial-Fun-Numbers	Plastic	1
22	Clock-56-Drive-Wheel-Dog-Large	Plastic	1
23	Clock-56-Drive-Arm	Plastic	1
24	Clock-56-Drive-Finger	Plastic	1
25	Clock-56-Pendulum-Drive-Connector-v2	Plastic	1
26	Clock-56-Drive-Support-no2	Plastic	1
27	Clock-55-Back-Stop	Plastic	1
28	Clock-56-Hour-Hand	Plastic	1
29	Clock-56-Minute-Hand	Plastic	1
30	Clock-56-Pendulum-adjuster	Plastic	1
31	Clock-56-Dog	Plastic	1
32	Clock-56-Dog-Head-Clip	Plastic	1
33	Clock-56-Dog-Head	Plastic	1
34	Clock-56-Back-Plate	Plastic	1
35	Clock-56-Wall-spacer-slotted	Plastic	1
36	Clock-56-Wall-Spacer-hole	Plastic	1
37	Clock-56-Top Spacer	Plastic	1

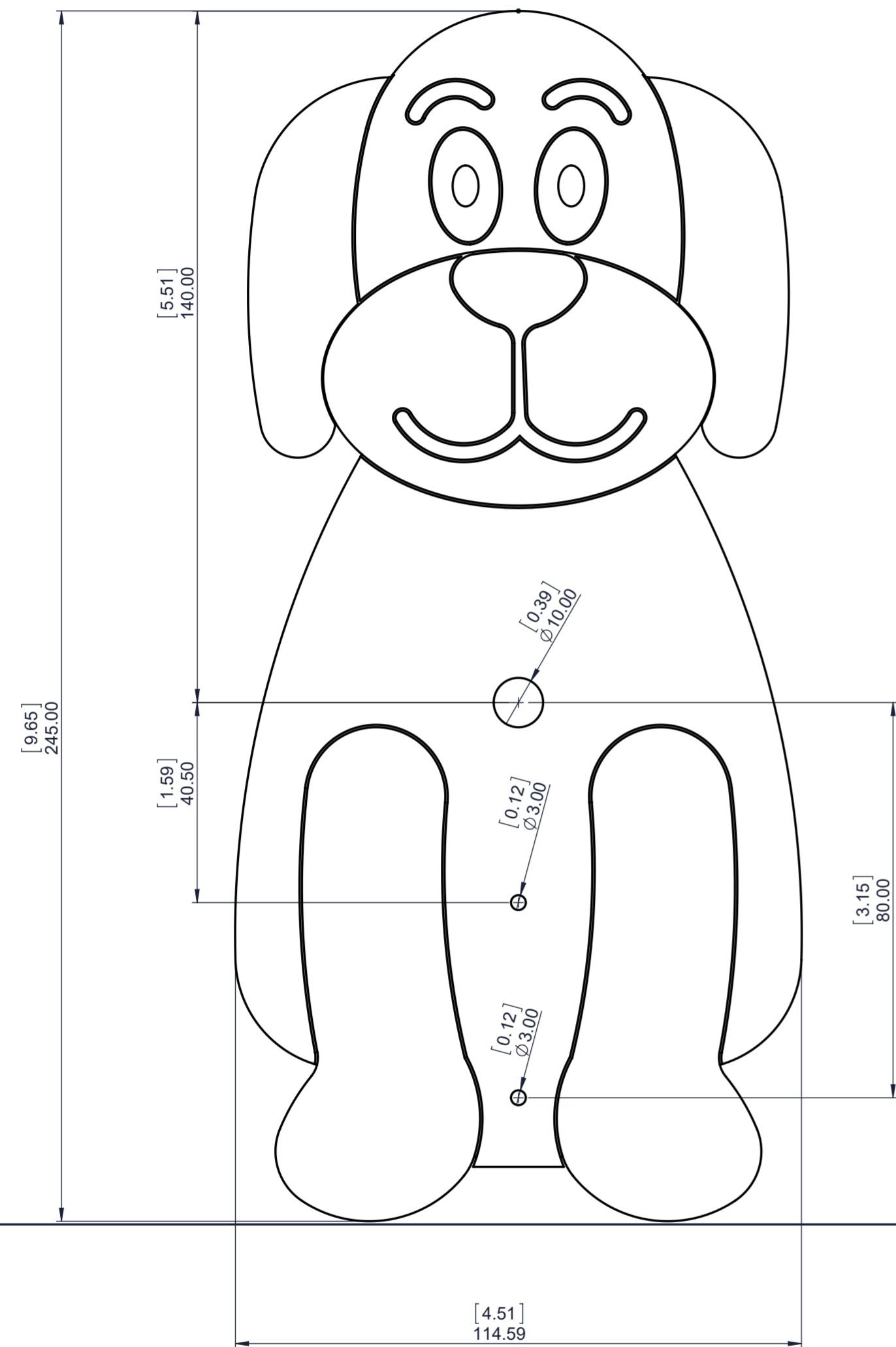


Sht of Shts	A2	Clock 56 - Pendulum Driven Clock
Not to Scale Unless otherwise stated	All dimensions in mm and (inches) 3rd Angle projection	Designed by: Brian Iaw www.woodenclocks.co.uk
		May 2024

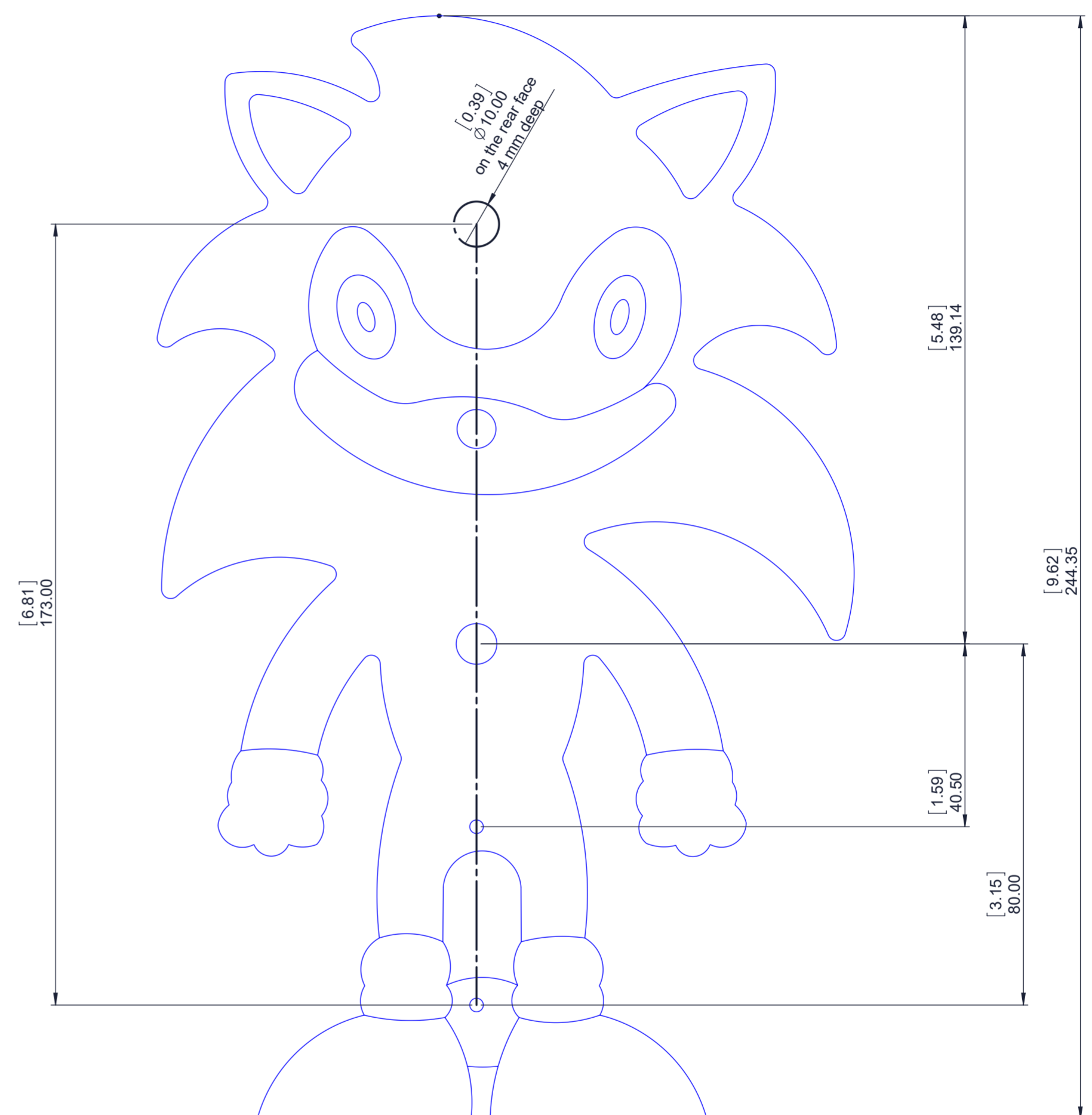


View showing Dog Face construction using Colored Layed segments 2mm thick, the same technique is used on the smaller head used on the Pendulum

Sht 4 of 5 Shts	A2	Clock 56 - Pendulum Driven Clock	
Not to Scale Unless otherwise stated		All dimensions in mm and (inches) 3rd Angle projection	Designed by: Brian law www.woodenclocks.co.uk
			May 2024

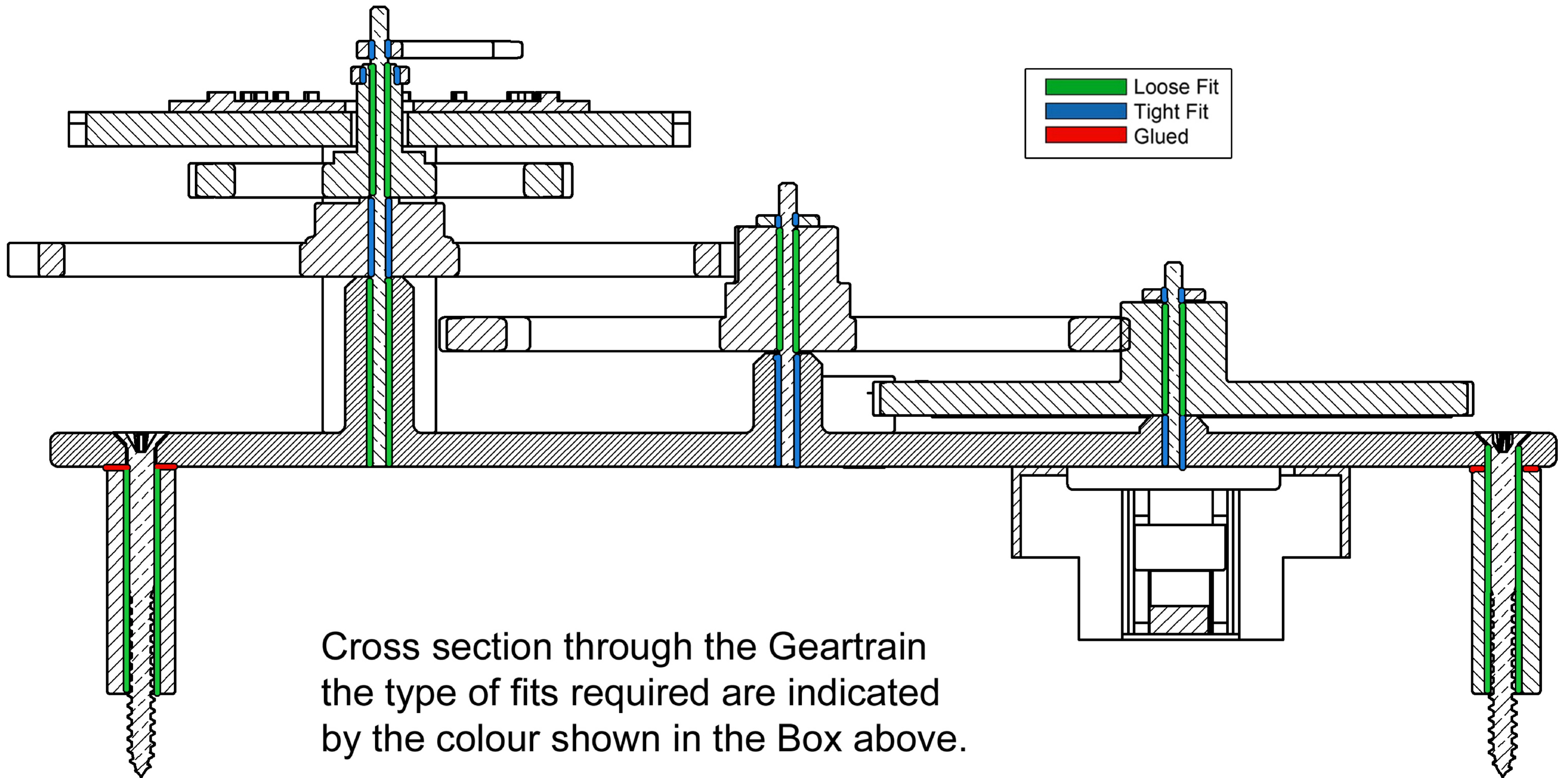


DOG PROFILE USED FOR THE DIAL ON CLOCK 56 IS ILLUSTRATED ABOVE SO THAT YOU MAY DRAW YOUR OWN CHARACTERS TO THE SAME SCALE AS SHOWN IN THE ILLUSTRATION OPPOSITE.



SAMPLE CHARACTER DRAWING USED FOR ONE OF THE PROTOTYPES THAT WAS BUILT. IF YOUR DRAWING SKILLS ARE LACKING LIKE MINE, YOU CAN GET HELP BY FOLLOWING INSTRUCTIONS YOU CAN FIND ON THE INTERNET.

Sht 5 of 5 Shts	A2	Clock 56 - Pendulum Driven Clock	
Not to Scale Unless otherwise stated		All dimensions in mm and (inches) 3rd Angle projection	Designed by: Brian law www.woodenclocks.co.uk
			May 2024



Sht of Shts A2	Clock 56 - Pendulum Driven Clock	
Not to Scale Unless otherwise stated	All dimensions in mm and (inches) 3rd Angle projection	Designed by: Brian Iaw www.woodenclocks.co.uk
		May 2024