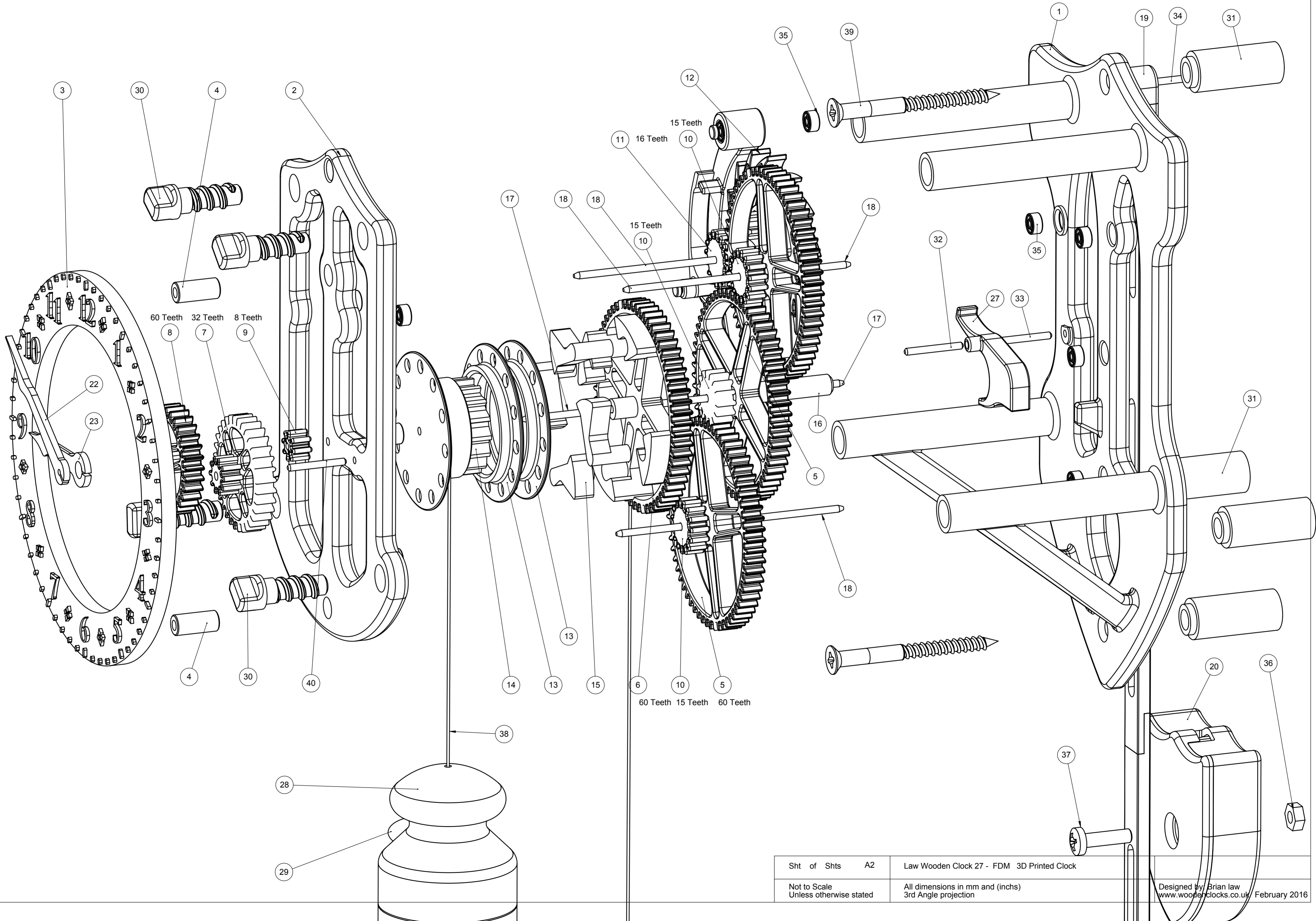


SECTION B-B

ITEM NO.	PART NUMBER	DESCRIPTION	QTY.
1	Clock 27 Back Plate		1
2	Clock 27 Front Plate		1
3	Clock 27 Dial	-	1
4	Clock 27-Dial Spacer		2
5	Clock 27 60 Teeth	-	3
6	Clock 27 60 Teeth-with ratchet		1
7	Clock 27 32 teeth	-	1
8	Clock 27 30 teeth		1
9	Clock 27 8 teeth		1
10	Clock 27 15 teeth		3
11	Clock 27 16 teeth		1
12	Clock 27-Escape wheel		1
13	Clock 27 Pulley-Sleeve		2
14	Clock 27 Ratchet		1
15	Clock 27 Pawl		4
16	Clock 27 Rear spacer		1
17	Clock 27 Shaft-100	Silver Steel Ø2x18mm	1
18	Clock 27 Shaft-69	Silver Steel Ø2x18mm	3
19	Clock 27-Pendulum Head		1
20	Clock 27 Pendulum Bob		1
21	Clock 27-FDM-Pendulum Rod		1
22	Clock 27 Minute Hand		1
23	Clock 27 Hour Hand		1
24	Clock 27 Gravity Arm		1
25	Clock 27 Lifting Lever		1
26	Clock 27 Lifting Arm Pivot	Silver Steel Ø2x17mm	1
27	Clock 27 Trigger		1
28	Clock 27 Main weight		1
29	Clock 27 Counter weight		1
30	Clock 27 Screw		4
31	Clock 27-Wall Spacer		4
32	Clock 27 Impulse pin	Silver Steel Ø2x18mm	1
33	Clock 27 Trigger Pivot	Silver Steel Ø2x19mm	1
34	Clock 27 Pendulum-Escapement Pivot	Silver Steel Ø2x31mm	1
35	Clock 27 Bearing 2mm	Ø2xØ6x3mm	11
36	Nut 4mm		1
37	Screw 4mm		1
38	Clock 27 cord		2
39	Woodscrew_No4_5x60	Brass	2
40	Clock 27 Hour gear pivot	Silver Steel Ø2x18mm	1
41	Magnet 4x1-5	Neodymium	3

Silver Steel is a UK name for Tool steel ground rod or Drill rod available in 13" lengths.

If you can't find metric materials you can use Ø5/64" instead and change the bearing to a Ø5/64 equivalent. Remember that you will need to change the bearing recess's in the front and back plates to Ø1/4"



Sht of Shts	A2	Law Wooden Clock 27 - FDM 3D Printed Clock
Not to Scale Unless otherwise stated		All dimensions in mm and (inches) 3rd Angle projection
		Designed by Brian law www.woodenclocks.co.uk February 2016